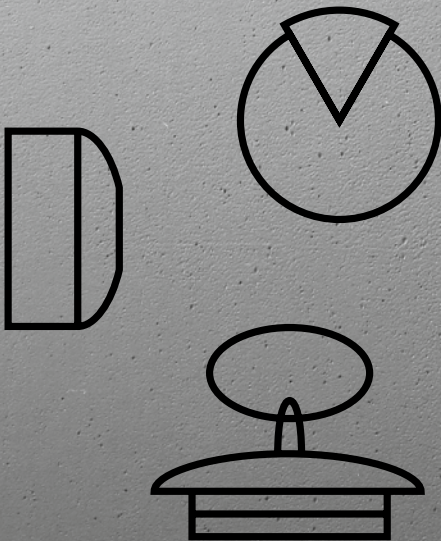


Spare parts for odour traps and drain sets

Drainage technology



Spare parts for odour traps and drain sets

**Note**

Use of the products for areas of application and media other than those described must be agreed in consultation with Viega! Plastic products made from PP (polypropylene) are environmentally compatible and offer the best properties for domestic wastewater. Hot water heated only briefly to max. 95 °C may be discharged via the odour traps! Do not use chemical cleaning agents to remove pipe blockages! Use only mild cleaning agents for the surfaces! Detailed information about applications, restrictions and national standards and directives can be found in the product information, either printed or on the Viega website.

Subject to change without prior notice!

Latest Z- and installation dimensions as well as further technical information can be found on the Viega website and have to be checked before purchase, planning, construction work and use. Our products are continuously optimised.

This product description contains important information on choice of product and system, mounting, commissioning as well as intended use and, if required, on maintenance measures. This information on products, their features and application techniques is based on currently valid standards in Europe (e.g. EN) and/or in Germany (e.g. DIN/DVGW). Some passages in the text may refer to technical regulations in Europe/Germany. These should be considered as recommendations for other countries where no corresponding national requirements exist. The relevant national laws, standards, regulations, directives and other technical provisions take priority over the German/European directives specified in this product description: The information herein is not binding for other countries and regions and should be understood as recommendation.

TABLE OF CONTENTS

Multiplex, series until I/2015	4
Multiplex, series from II/2015	7
Multiplex Visign M9	10
Rotaplex, series until I/2015	13
Rotaplex, series from II/2015	16
Multiplex Trio Visign MT1/MT2	18
Multiplex Trio Visign MT3/MT4	22
Multiplex Trio Visign MT5, series until II/2015	25
Multiplex Trio Visign MT3/MT5, series from II/2015	28
Multiplex Trio Visign MT9	31
Rotaplex Trio Visign RT1/RT2	34
Rotaplex Trio Visign RT3/RT4	38
Rotaplex Trio Visign RT5	41
Rotaplex Trio Visign RT3/RT5, series from II/2015	44
Simplex	47
Pipe interrupters	49
Tempoplex, series from 1997-2001	50
Tempoplex, series from 2001	52
Tempoplex, series from 2006	53
Tempoplex Plus	55
Tempoplex (vertical), series from 2021	57
Domoplex	58
Drains for bathtubs and shower trays	60
Drains for washbasins and bidets	61
Drains for sinks, basins and appliances	65
Drains for WCs and urinals	67

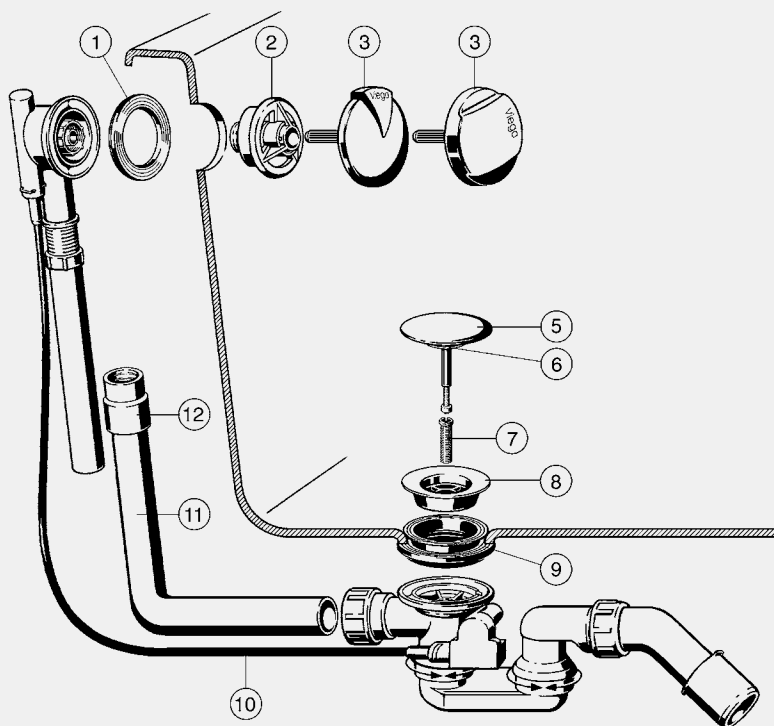


4 015211 305611

GTIN-Code (Global Trade Item Number previously EAN-code)

The GTIN number consists of the constant manufacturer number 4015211 and the six-digit article number, in this example 305 611. The exchange of the last six digits for the article number reveals the GTIN code.

MULTIPLEX, SERIES UNTIL 1/2015



Gasket
 - for overflow, Citaplex, Multiplex,
 Multiplex Trio, Rotaplex,
 Rotaplex Trio, Simplex
 - series until 2014
 - fig. 1
Model 9959.4

internal-Ø	Ø	H	PU	Article	DG
48.5	76	5	10	398 385	10



Flange
 - for overflow fixing,
 Multiplex Visign M3/M4, Rotaplex
 Visign R3/R4
 - chrome-plated
 - fig. 2
Model 6154.108

	PU	Article	DG
	1	655 457	10



Flange
 - for overflow fixing, Multiplex,
 Rotaplex
 - series until 2014
 - fig. 2
Model 6168-236

	PU	Article	DG
	1	143 138	10



Flange
 - for overflow fixing, Multiplex (old),
 Simplex
 - series until 2014
 - fig. 2
Model 9784.3-236

	PU	Article	DG
	1	477 608	10



Flange
 - for overflow fixing, Multiplex,
 Simplex, Rotaplex, series 2014
 - fig. 2
Model 6168.09

	PU	Article	DG
	1	734 596	10



Rotatable rosette
Visign M1/R1
 - for Multiplex, Rotaplex
 - fig. 3
Model 6162.02

Version	PU	Article	DG
chrome-plated	1	280 949	10



Rotatable rosette
Visign M2/R2
 - for Multiplex, Rotaplex
 - fig. 3
Model 6162.07

Version	PU	Article	DG
chrome-plated	1	554 118	10



Equipment set
Visign M3/R3
 - for Multiplex, Rotaplex
Components
 rotatable rosette, flange
 - fig. 3
Model 6956.09

Version	PU	Article	DG
chrome-plated	1	778 941	14



Equipment set
Visign M4/R4
 - for Multiplex, Rotaplex
Components
 rotatable rosette, flange
 - fig. 3
Model 6155.09

Version	PU	Article	DG
chrome-plated	1	632 267	14



Equipment set
Visign M5/R5
 - for Multiplex, Multiplex Visign M5,
 Rotaplex, Rotaplex Visign R5,
 Multiplex Trio F, Rotaplex Trio F
 - series until 2014
Components
 rotatable rosette, overflow rosette
Model 6167.09

Version	PU	Article	DG
chrome-plated	1	699 062	14



Drain plug
 - for Multiplex, Multiplex Trio,
 Simplex
 - fig. 5
Model 6168-035

Version	PU	Article	DG
chrome-plated	50	215 392	10



Gasket
 - for drain plug, Multiplex,
 Multiplex Trio, Simplex
 - rubber
 - fig. 6
Model 6162-268

internal-Ø	Ø	H	PU	Article	DG
26	42	5	1	104 740	10



Screw
 - for valve top
 - fig. 7
Model 6162.45-593

M	L	PU	Article	DG
12	28	1	122 485	10



Valve top
 - for Multiplex, Multiplex Trio
 - brass chrome-plated
 - fig. 8
Model 6162-955

Ø	H	PU	Article	DG
70	16	1	119 812	10



Gasket

- for valve top, Multiplex, Multiplex Trio, Simplex
- fig. 9

internal-Ø	Ø	H	PU	Article	DG
43.5	76	21	1	398 378	10

Model 6162.473



Bowden cable

- for Multiplex, Rotaplex and Simplex up to series 1st half 2014, Multiplex Trio and Rotaplex Trio up to series 1st half 2015

Components

stainless steel rope
- fig. 10

Model	L	SB	BCC	XLB	PU	Article	DG
6162-152	540	✓			1	135 027	10
6163-152	725		✓		1	160 418	10
6165-152	1070			✓	1	147 969	10

SB = standard bathtub
BCC = bathtub central connection
XLB = extra-long bathtub



Bowden cable

- for Multiplex, Rotaplex and Simplex from series 2nd half 2014, Multiplex Trio and Rotaplex Trio from series 1st half 2015

Components

stainless steel rope
- fig. 10

Model 6162.19

L	SB	BCC	XLB	PU	Article	DG
560	✓			1	721 732	10
725		✓		1	721 749	10
1070			✓	1	721 954	10

SB = standard bathtub
BCC = bathtub central connection
XLB = extra-long bathtub



Overflow pipe

- for Citaplex, Multiplex, Multiplex Trio, Rotaplex, Rotaplex Trio
- fig. 11

Model	L1	L2	SB	XLB	PU	Article	DG
6176-651	220	180	✓		1	113 124	10
6163.45-651					1	121 556	10
6165	660	300		✓	1	167 899	10

SB = standard bathtub
XLB = extra-long bathtub



Coupling

- for connection of the overflow unit with the overflow pipe

- rubber
- fig. 12

Model 6167-417

DN	d	PU	Article	DG
32	28	1	117 245	10



Adjusting screw

- for drain plug, Multiplex, Multiplex Trio

Model 6151-912

M	L	PU	Article	DG
5	25	1	110 277	10

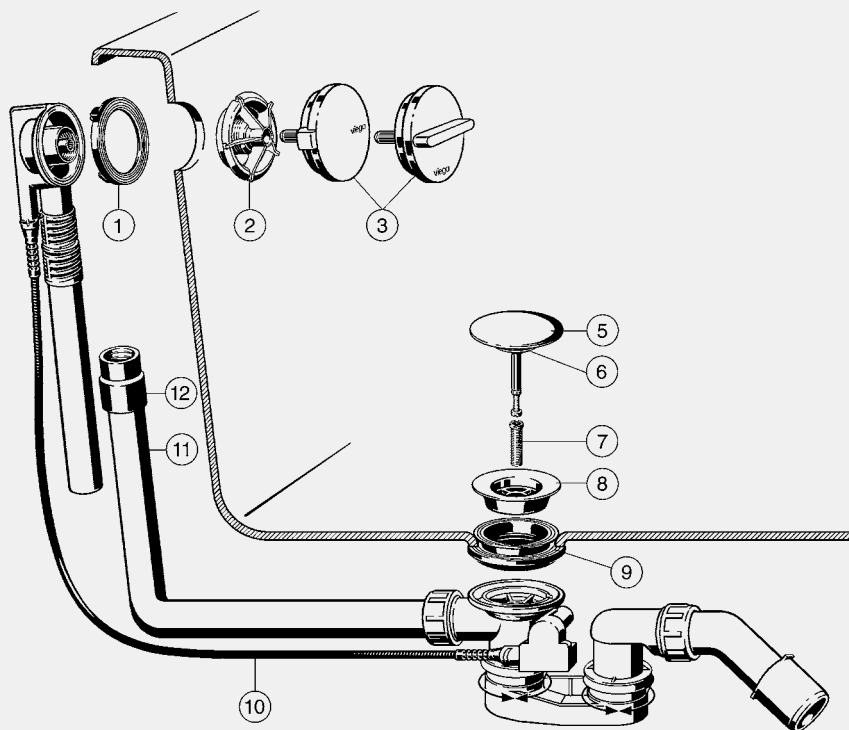


Adapter

- for brass rotatable rosette, Multiplex (old)
- plastic

Model 6162.45-608

L	PU	Article	DG
51.5	1	108 656	10

MULTIPLEX, SERIES FROM II/2015

Gasket

- for overflow, Multiplex, Rotaplex, series 2014, Simplex, Citaplex, Multiplex Trio F, Rotaplex Trio F, series from 2015
- fig. 1

Model 6162.475

internal-Ø	Ø	H	PU	Article	DG
48.5	76	5	1	734 619	10


Flange

- for overflow fixing, Multiplex, Rotaplex
- series from II/2015
- fig. 2

Model 6168.11

	PU	Article	DG
	1	749 972	10


**Rotatable rosette
Visign M3/R3**

- for Multiplex, Rotaplex, series from 2014
- fig. 3

Model 6154.09

Version	PU	Article	DG
chrome-plated	1	632 250	14


**Rotatable rosette
Visign M5/R5**

- for Multiplex, Rotaplex, series from 2014
- fig. 3

Model 6162.12

Version	PU	Article	DG
chrome-plated	1	734 602	14



Drain plug
 - for Multiplex, Multiplex Trio,
 Simplex
 - fig. 5
Model 6168-035

Version	PU	Article	DG
chrome-plated	50	215 392	10



Gasket
 - for drain plug, Multiplex,
 Multiplex Trio, Simplex
 - rubber
 - fig. 6
Model 6162-268

internal-Ø	Ø	H	PU	Article	DG
26	42	5	1	104 740	10



Screw
 - for valve top
 - fig. 7
Model 6162.45-593

M	L	PU	Article	DG
12	28	1	122 485	10



Valve top
 - for Multiplex, Multiplex Trio
 - brass chrome-plated
 - fig. 8
Model 6162-955

Ø	H	PU	Article	DG
70	16	1	119 812	10



Gasket
 - for valve top, Multiplex,
 Multiplex Trio, Simplex
 - fig. 9
Model 6162.473

internal-Ø	Ø	H	PU	Article	DG
43.5	76	21	1	398 378	10



Bowden cable
 - for Multiplex, Rotaplex and Simplex from series 2nd half 2014, Multiplex Trio and Rotaplex Trio
 from series 1st half 2015
Components
 stainless steel rope
 - fig. 10
Model 6162.19

L	SB	BCC	XLB	PU	Article	DG
560	✓			1	721 732	10
725		✓		1	721 749	10
1070			✓	1	721 954	10

SB = standard bathtub
 BCC = bathtub central connection
 XLB = extra-long bathtub



Overflow pipe
 - for Citaplex, Multiplex, Multiplex Trio, Rotaplex, Rotaplex Trio
 - fig. 11

Model	L1	L2	SB	XLB	PU	Article	DG
6176-651	220	180	✓		1	113 124	10
6163.45-651					1	121 556	10
6165	660	300		✓	1	167 899	10

SB = standard bathtub
 XLB = extra-long bathtub



Coupling
 - for connection of the overflow unit
 with the overflow pipe
 - rubber
 - fig. 12
Model 6167-417

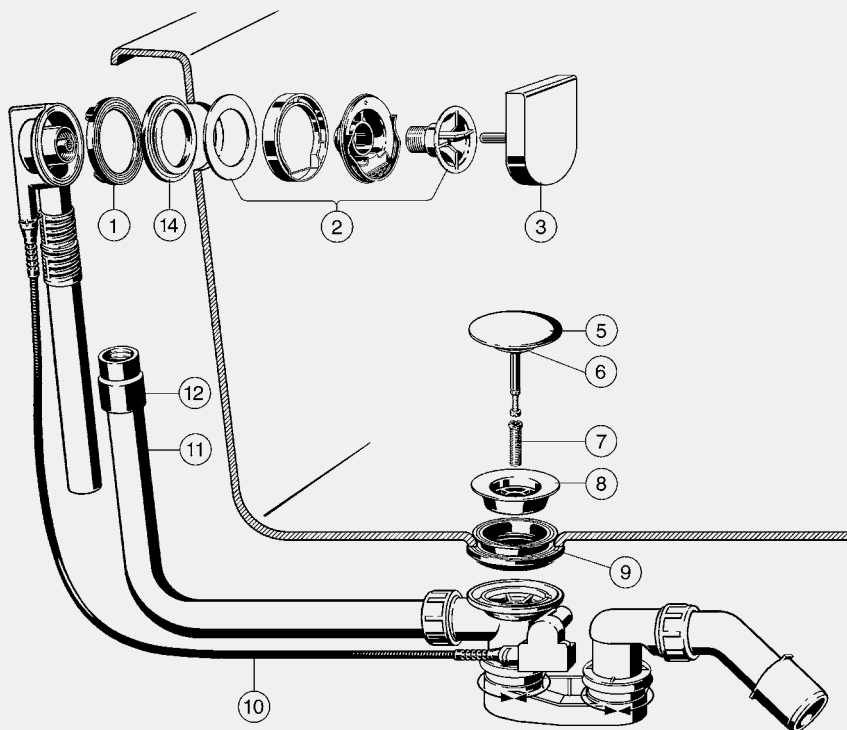
DN	d	PU	Article	DG
32	28	1	117 245	10



Adjusting screw
- for drain plug, Multiplex,
Multiplex Trio
Model 6151-912

M	L	PU	Article	DG
5	25	1	110 277	10

MULTIPLEX VISIGN M9



Gasket

- for overflow, Multiplex, Rotaplex, series 2014, Simplex, Citaplex, Multiplex Trio F, Rotaplex Trio F, series from 2015

- fig. 1

Model 6162.475

internal-Ø	Ø	H	PU	Article	DG
48.5	76	5	1	734 619	10



Flange

- for overflow fixing, Multiplex Visign M9

Components

flange, overflow rosette, gasket, fixing screw

- fig. 2

Model 6171.09

	PU	Article	DG
1	1	734 763	14



Rotatable rosette

Visign M9/MT9

- for Multiplex Visign M9/MT9

- fig. 3

Model 6171.08

Version	PU	Article	DG
chrome-plated	1	734 770	10



Drain plug

- for Multiplex, Multiplex Trio, Simplex

- fig. 5

Model 6168-035

Version	PU	Article	DG
chrome-plated	50	215 392	10



Gasket
 - for drain plug, Multiplex,
 Multiplex Trio, Simplex
 - rubber
 - fig. 6
Model 6162-268

internal-Ø	Ø	H	PU	Article	DG
26	42	5	1	104 740	10



Screw
 - for valve top
 - fig. 7
Model 6162.45-593

M	L	PU	Article	DG
12	28	1	122 485	10



Valve top
 - for Multiplex, Multiplex Trio
 - brass chrome-plated
 - fig. 8
Model 6162-955

Ø	H	PU	Article	DG
70	16	1	119 812	10



Gasket
 - for valve top, Multiplex,
 Multiplex Trio, Simplex
 - fig. 9
Model 6162.473

internal-Ø	Ø	H	PU	Article	DG
43.5	76	21	1	398 378	10



Bowden cable
 - for Multiplex, Rotaplex and Simplex from series 2nd half 2014, Multiplex Trio and Rotaplex Trio
 from series 1st half 2015
Components
 stainless steel rope
 - fig. 10
Model 6162.19

L	SB	BCC	XLB	PU	Article	DG
560	✓			1	721 732	10
725		✓		1	721 749	10
1070			✓	1	721 954	10

SB = standard bathtub
 BCC = bathtub central connection
 XLB = extra-long bathtub



Overflow pipe
 - for Citaplex, Multiplex, Multiplex Trio, Rotaplex, Rotaplex Trio
 - fig. 11

Model	L1	L2	SB	XLB	PU	Article	DG
6176-651	220	180	✓		1	113 124	10
6163.45-651					1	121 556	10
6165	660	300		✓	1	167 899	10

SB = standard bathtub
 XLB = extra-long bathtub



Coupling
 - for connection of the overflow unit
 with the overflow pipe
 - rubber
 - fig. 12
Model 6167-417

DN	d	PU	Article	DG
32	28	1	117 245	10



Adjusting screw
 - for drain plug, Multiplex,
 Multiplex Trio
Model 6151-912

M	L	PU	Article	DG
5	25	1	110 277	10



Gasket

- for overflow, Multiplex Trio, Rotaplex Trio
- fig. 14

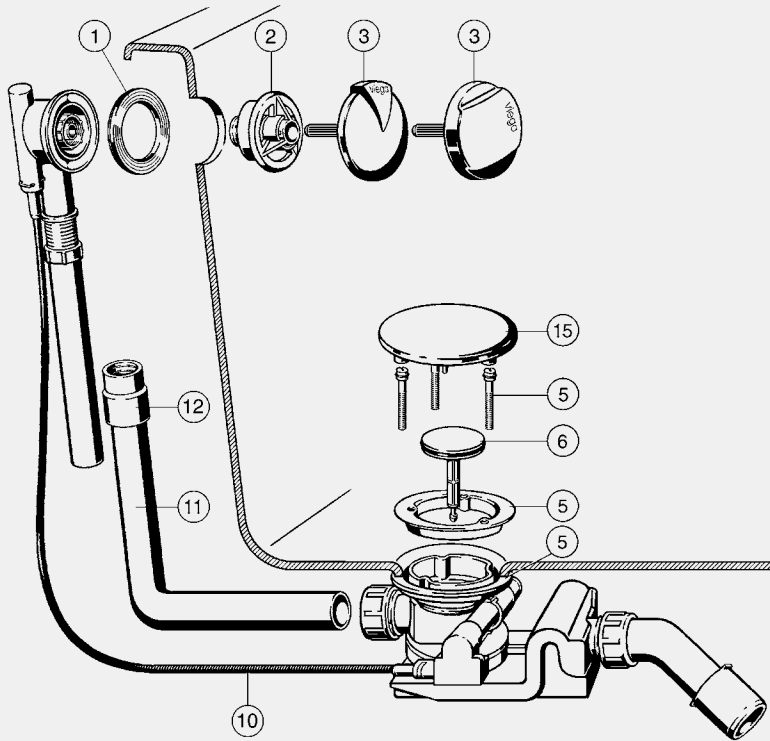
Note

Is only required for bathtubs made of steel.

Model 6161.94

H	Ø	PU	Article	DG
3.5	76	1	695 927	10

ROTAPLEX, SERIES UNTIL I/2015



Gasket
 - for overflow, Citaplex, Multiplex,
 Multiplex Trio, Rotaplex,
 Rotaplex Trio, Simplex
 - series until 2014
 - fig. 1
Model 9959.4

internal-Ø	Ø	H	PU	Article	DG
48.5	76	5	10	398 385	10



Flange
 - for overflow fixing,
 Multiplex Visign M3/M4, Rotaplex
 Visign R3/R4
 - chrome-plated
 - fig. 2
Model 6154.108

	PU	Article	DG
	1	655 457	10



Flange
 - for overflow fixing, Multiplex,
 Rotaplex
 - series until 2014
 - fig. 2
Model 6168-236

	PU	Article	DG
	1	143 138	10



Flange
 - for overflow fixing, Multiplex,
 Simplex, Rotaplex, series 2014
 - fig. 2
Model 6168.09

	PU	Article	DG
	1	734 596	10



Rotatable rosette
Visign M1/R1
 - for Multiplex, Rotaplex
 - fig. 3
Model 6162.02

Version	PU	Article	DG
chrome-plated	1	280 949	10



Rotatable rosette
Visign M2/R2
 - for Multiplex, Rotaplex
 - fig. 3
Model 6162.07

Version	PU	Article	DG
chrome-plated	1	554 118	10



Equipment set
Visign M3/R3
 - for Multiplex, Rotaplex
Components
 rotatable rosette, flange
 - fig. 3
Model 6956.09

Version	PU	Article	DG
chrome-plated	1	778 941	14



Equipment set
Visign M4/R4
 - for Multiplex, Rotaplex
Components
 rotatable rosette, flange
 - fig. 3
Model 6155.09

Version	PU	Article	DG
chrome-plated	1	632 267	14



Equipment set
Visign M5/R5
 - for Multiplex, Multiplex Visign M5,
 Rotaplex, Rotaplex Visign R5,
 Multiplex Trio F, Rotaplex Trio F
 - series until 2014
Components
 rotatable rosette, overflow rosette
Model 6167.09

Version	PU	Article	DG
chrome-plated	1	699 062	14



Mounting set
 - for Rotaplex, Rotaplex Trio
Components
 fixing flange, profile seal, fixing
 screws
 - fig. 5
Model 6142.91

	PU	Article	DG
	1	575 403	10



Drain plug
 - for Rotaplex, Rotaplex Trio
 - plastic
 - fig. 6
Model 6142.90

	PU	Article	DG
	1	575 397	10



Bowden cable
Components
 stainless steel rope
 - fig. 10

Model	L	BCC	XLB	PU	Article	DG
6163-152	725	✓		1	160 418	10
6165-152	1070		✓	1	147 969	10

BCC = bathtub central connection
 XLB = extra-long bathtub


Bowden cable

- for Multiplex, Rotaplex and Simplex from series 2nd half 2014, Multiplex Trio and Rotaplex Trio from series 1st half 2015

Components

stainless steel rope

- fig. 10

Model 6162.19

L	SB	BCC	XLB	PU	Article	DG
560	✓			1	721 732	10
725		✓		1	721 749	10
1070			✓	1	721 954	10

SB = standard bathtub

BCC = bathtub central connection

XLB = extra-long bathtub



- fig. 11

Model	PU	Article	DG
6163.45-651	1	121 556	10
6165	1	167 899	10


Coupling

- for connection of the overflow unit with the overflow pipe

- rubber

- fig. 12

Model 6167-417

DN	d	PU	Article	DG
32	28	1	117 245	10


Cover cap

- for Rotaplex, Rotaplex Trio

- fig. 15

Model 6142.92

Ø	Version	PU	Article	DG
115	chrome-plated	1	695 941	10


Insert

- for Rotaplex, Rotaplex Trio, series until 2004

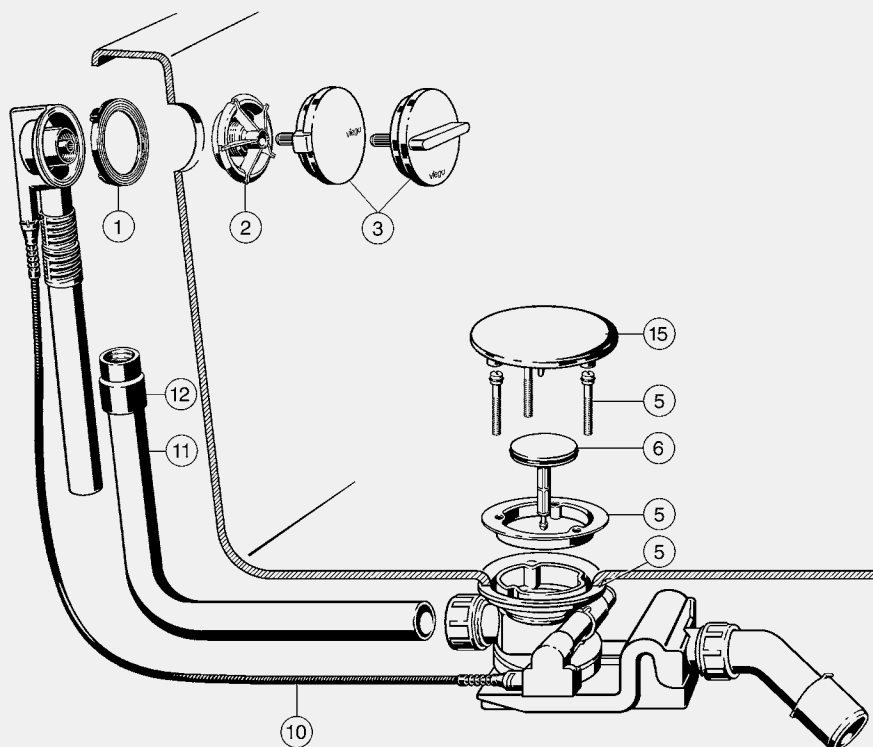
Components

drain plug with lifting mechanism

Model 6142

PU	Article	DG
1	450 434	14

ROTAPLEX, SERIES FROM II/2015



Gasket
 - for overflow, Multiplex, Rotaplex, series 2014, Simplex, Citaplex, Multiplex Trio F, Rotaplex Trio F, series from 2015
 - fig. 1
Model 6162.475

internal-Ø	Ø	H	PU	Article	DG
48.5	76	5	1	734 619	10



Flange
 - for overflow fixing, Multiplex, Rotaplex
 - series from II/2015
 - fig. 2
Model 6168.11

	PU	Article	DG
	1	749 972	10



Rotatable rosette Visign M3/R3
 - for Multiplex, Rotaplex, series from 2014
 - fig. 3
Model 6154.09

Version	PU	Article	DG
chrome-plated	1	632 250	14



Rotatable rosette Visign M5/R5
 - for Multiplex, Rotaplex, series from 2014
 - fig. 3
Model 6162.12

Version	PU	Article	DG
chrome-plated	1	734 602	14


Mounting set

- for Rotaplex, Rotaplex Trio

Components

fixing flange, profile seal, fixing screws

- fig. 5

Model 6142.91

	PU	Article	DG
	1	575 403	10


Drain plug

- for Rotaplex, Rotaplex Trio

- plastic

- fig. 6

Model 6142.90

	PU	Article	DG
	1	575 397	10


Bowden cable

- for Multiplex, Rotaplex and Simplex from series 2nd half 2014, Multiplex Trio and Rotaplex Trio from series 1st half 2015

Components

stainless steel rope

- fig. 10

Model 6162.19

L	BCC	XLB	PU	Article	DG
725	✓		1	721 749	10
1070		✓	1	721 954	10

BCC = bathtub central connection

XLB = extra-long bathtub



- fig. 11

Model	PU	Article	DG
6163.45-651	1	121 566	10
6165	1	167 899	10


Coupling

- for connection of the overflow unit with the overflow pipe

- rubber

- fig. 12

Model 6167-417

DN	d	PU	Article	DG
32	28	1	117 245	10


Cover cap

- for Rotaplex, Rotaplex Trio

- fig. 15

Model 6142.92

Ø	Version	PU	Article	DG
115	chrome-plated	1	695 941	10


Insert

- for Rotaplex, Rotaplex Trio, series until 2004

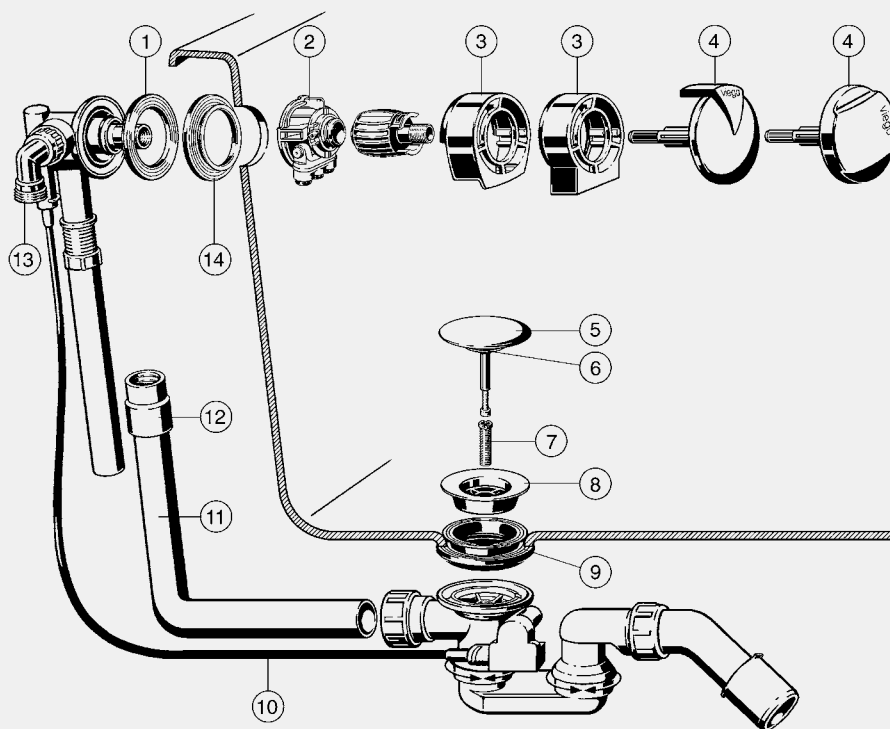
Components

drain plug with lifting mechanism

Model 6142

	PU	Article	DG
	1	450 434	14

MULTIPLEX TRIO VISIGN MT1/MT2



Gasket
 - for overflow, Citaplex, Multiplex,
 Multiplex Trio, Rotaplex,
 Rotaplex Trio, Simplex
 - series until 2014
 - fig. 1
Model 9959.4

internal-Ø	Ø	H	PU	Article	DG
48.5	76	5	10	398 385	10



Inlet flange
 - for water supply, Multiplex Trio,
 Rotaplex Trio, series from 01/2006
 - series until 1/2015
Components
 aerator
 - fig. 2
Model 6161.90

	PU	Article	DG
	1	575 779	10



Overflow rosette
 - for inlet flange, Multiplex Trio
 Visign MT1, Rotaplex Trio
 Visign RT1
 - fig. 3
Model 6161.04

Version	PU	Article	DG
chrome-plated	1	333 287	10



Overflow rosette
 - for inlet flange, Multiplex Trio
 Visign MT2, Rotaplex Trio
 Visign RT2
 - fig. 3
Model 6161.91

Version	PU	Article	DG
chrome-plated	1	575 410	10



Rotatable rosette
Visign MT1/RT1
 - for Multiplex Trio, Rotaplex Trio
 - fig. 4
Model 6161.03

Version	PU	Article	DG
chrome-plated	1	309 664	10



Rotatable rosette
Visign MT2/RT2
 - for Multiplex Trio, Rotaplex Trio
 - series until 1/2015
 - fig. 4
Model 6161.92

Version	PU	Article	DG
chrome-plated	1	575 427	10



Drain plug
 - for Multiplex, Multiplex Trio,
 Simplex
 - fig. 5
Model 6168-035

Version	PU	Article	DG
chrome-plated	50	215 392	10



Gasket
 - for drain plug, Multiplex,
 Multiplex Trio, Simplex
 - rubber
 - fig. 6
Model 6162-268

internal-Ø	Ø	H	PU	Article	DG
26	42	5	1	104 740	10



Screw
 - for valve top
 - fig. 7
Model 6162.45-593

M	L	PU	Article	DG
12	28	1	122 485	10



Valve top
 - for Multiplex, Multiplex Trio
 - brass chrome-plated
 - fig. 8
Model 6162-955

Ø	H	PU	Article	DG
70	16	1	119 812	10



Gasket
 - for valve top, Multiplex,
 Multiplex Trio, Simplex
 - fig. 9
Model 6162.473

internal-Ø	Ø	H	PU	Article	DG
43.5	76	21	1	398 378	10



Bowden cable
 - for Multiplex, Rotaplex and Simplex up to series 1st half 2014, Multiplex Trio and Rotaplex Trio
 up to series 1st half 2015
Components
 stainless steel rope
 - fig. 10

Model	L	SB	BCC	XLB	PU	Article	DG
6162-152	540	✓			1	135 027	10
6163-152	725		✓		1	160 418	10
6165-152	1070			✓	1	147 969	10

SB = standard bathtub
 BCC = bathtub central connection
 XLB = extra-long bathtub



Bowden cable

- for Multiplex, Rotaplex and Simplex from series 2nd half 2014, Multiplex Trio and Rotaplex Trio from series 1st half 2015

Components

stainless steel rope

- fig. 10

Model 6162.19

L	SB	BCC	XLB	PU	Article	DG
560	✓			1	721 732	10
725		✓		1	721 749	10
1070			✓	1	721 954	10

SB = standard bathtub

BCC = bathtub central connection

XLB = extra-long bathtub



Overflow pipe

- for Citaplex, Multiplex, Multiplex Trio, Rotaplex, Rotaplex Trio

- fig. 11

Model	L1	L2	SB	XLB	PU	Article	DG
6176-651	220	180	✓		1	113 124	10
6163.45-651					1	121 556	10
6165	660	300		✓	1	167 899	10

SB = standard bathtub

XLB = extra-long bathtub



Coupling

- for connection of the overflow unit with the overflow pipe

- rubber

- fig. 12

Model 6167-417

DN	d	PU	Article	DG
32	28	1	117 245	10



Connection elbow 90°

- for Multiplex Trio, Rotaplex Trio

- not suitable for Multiplex Trio

Visign MT5, Rotaplex Trio

Visign RT5

- brass

- fig. 13

Model 6161.98

G	internal-Ø	PU	Article	DG
¾	19	1	693 862	10



Gasket

- for overflow, Multiplex Trio, Rotaplex Trio

- fig. 14

Note

Is only required for bathtubs made of steel.

Model 6161.94

H	Ø	PU	Article	DG
3.5	76	1	695 927	10



Spacer ring

- for inlet flange, series until 2005

Model 6161.22-597

d	H	PU	Article	DG
33	4	1	300 128	10



Inlet part

- for Multiplex Trio, Rotaplex Trio - series until 1/2015

Model 6161.998

	PU	Article	DG
	1	581 640	10



Fixing set

- suitable for inlet part model 6161.998

Model 6161.93

M	L	PU	Article	DG
4	43	1	587 017	10


Inlet part

- for aerator with metal insert,
Multiplex Trio, Rotaplex Trio, series
until 2005/2006

Model 6161.229

	PU	Article	DG
	1	300 012	10


Inlet part

- for flow control with larger flow
(i.e. hard water), Multiplex Trio,
Rotaplex Trio, series until
2005/2006

Model 6161.239

	PU	Article	DG
	1	351 076	10


Adjusting screw

- for drain plug, Multiplex,
Multiplex Trio

Model 6151-912

M	L	PU	Article	DG
5	25	1	110 277	10


Model 6161.29-608

	PU	Article	DG
	1	137 977	10


**Conversion kit
inlet piece**

- for replacement of the equipment
set series up to 1995 (brass inlet)
to the version series up to 2002

Components

inlet piece, inlet part, spacer ring,
fixing element, mounting aid

Model 6161.99

	PU	Article	DG
	1	312 213	10

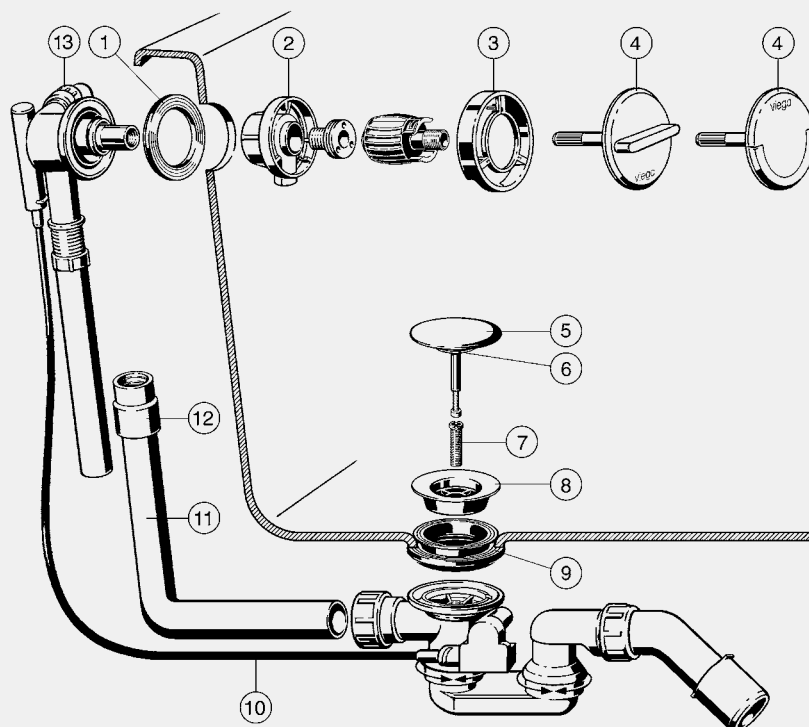

Mounting aid

- for Multiplex Trio, Rotaplex Trio

Model 6161.96

	PU	Article	DG
	1	632 342	10

MULTIPLEX TRIO VISIGN MT3/MT4



Gasket

- for overflow, Multiplex Trio
Visign MT3/MT4, Rotaplex Trio
Visign RT3/RT4
- fig. 1

Model 6161.106

internal-Ø	Ø	H	PU	Article	DG
54	80	7.7	1	632 311	10



Inlet flange

- for water supply, Multiplex Trio
Visign MT3/MT4, Rotaplex Trio
Visign RT3/RT4
- series until I/2015

Components

fixing screw

- fig. 2

Model 6161.107

	PU	Article	DG
	1	632 304	10



Overflow rosette

- for inlet flange, Multiplex Trio
Visign MT3/MT4, Rotaplex Trio
Visign RT3/RT4
- series until I/2015

- fig. 3

Model 6161.108

	PU	Article	DG
	1	632 298	10



Rotatable rosette

Visign MT3/RT3

- for Multiplex Trio, Rotaplex Trio
- series until I/2015

- fig. 4

Model 6161.109

Version	PU	Article	DG
chrome-plated	1	632 274	10



Rotatable rosette
Visign MT4/RT4
 - for Multiplex Trio, Rotaplex Trio
 - fig. 4
Model 6161.159

Version	PU	Article	DG
chrome-plated	1	632 281	10



Drain plug
 - for Multiplex, Multiplex Trio, Simplex
 - fig. 5
Model 6168-035

Version	PU	Article	DG
chrome-plated	50	215 392	10



Gasket
 - for drain plug, Multiplex, Multiplex Trio, Simplex
 - rubber
 - fig. 6
Model 6162-268

internal-Ø	Ø	H	PU	Article	DG
26	42	5	1	104 740	10



Screw
 - for valve top
 - fig. 7
Model 6162.45-593

M	L	PU	Article	DG
12	28	1	122 485	10



Valve top
 - for Multiplex, Multiplex Trio
 - brass chrome-plated
 - fig. 8
Model 6162-955

Ø	H	PU	Article	DG
70	16	1	119 812	10



Gasket
 - for valve top, Multiplex, Multiplex Trio, Simplex
 - fig. 9
Model 6162.473

internal-Ø	Ø	H	PU	Article	DG
43.5	76	21	1	398 378	10



Bowden cable
 - for Multiplex, Rotaplex and Simplex up to series 1st half 2014, Multiplex Trio and Rotaplex Trio up to series 1st half 2015
Components
 stainless steel rope
 - fig. 10

Model	L	SB	BCC	XLB	PU	Article	DG
6162-152	540	✓			1	135 027	10
6163-152	725		✓		1	160 418	10
6165-152	1070			✓	1	147 969	10

SB = standard bathtub
 BCC = bathtub central connection
 XLB = extra-long bathtub



Overflow pipe
 - for Citaplex, Multiplex, Multiplex Trio, Rotaplex, Rotaplex Trio
 - fig. 11

Model	L1	L2	SB	XLB	PU	Article	DG
6176-651	220	180	✓		1	113 124	10
6163.45-651					1	121 556	10
6165	660	300		✓	1	167 899	10

SB = standard bathtub
 XLB = extra-long bathtub



Coupling

- for connection of the overflow unit with the overflow pipe
- rubber
- fig. 12

Model 6167-417

DN	d	PU	Article	DG
32	28	1	117 245	10



Connection elbow 90°

- for Multiplex Trio, Rotaplex Trio
- not suitable for Multiplex Trio Visign MT5, Rotaplex Trio Visign RT5
- brass
- fig. 13

Model 6161.98

G	internal-Ø	PU	Article	DG
¾	19	1	693 862	10



Adjusting screw

- for drain plug, Multiplex, Multiplex Trio

Model 6151-912

M	L	PU	Article	DG
5	25	1	110 277	10

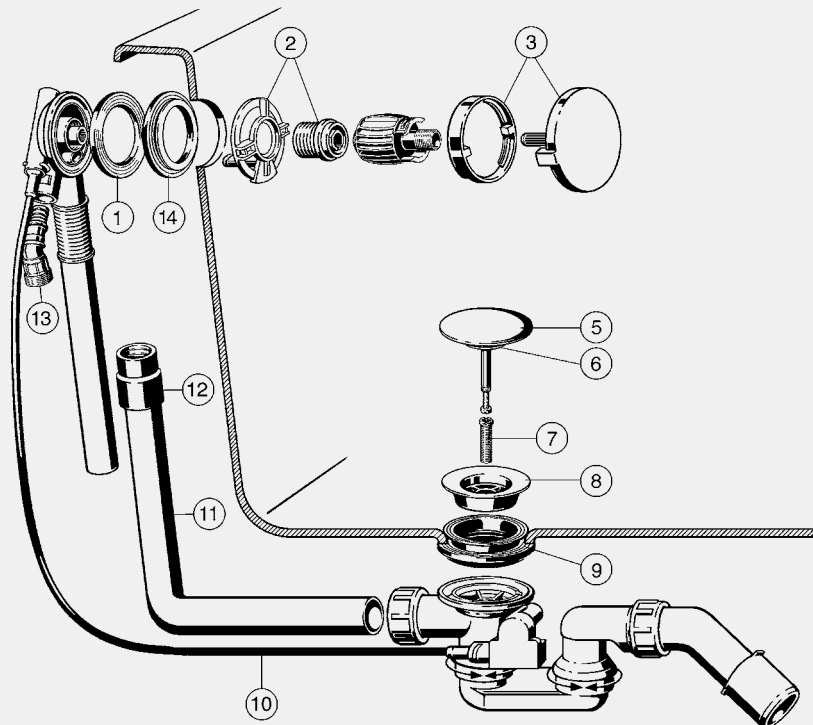


Mounting aid

- for Multiplex Trio, Rotaplex Trio

Model 6161.96

	PU	Article	DG
	1	632 342	10

MULTIPLEX TRIO VISIGN MT5, SERIES UNTIL II/2015

Gasket

- for overflow, Citaplex, Multiplex, Multiplex Trio, Rotaplex, Rotaplex Trio, Simplex
- series until 2014
- fig. 1

Model 9959.4

internal-Ø	Ø	H	PU	Article	DG
48.5	76	5	10	398 385	10


Inlet flange

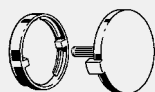
- for water supply, Multiplex Trio Visign MT5, Rotaplex Trio Visign RT5
- series until I/2015

Components

- fixing screws
- fig. 2

Model 6149.90

	PU	Article	DG
	1	698 089	10


Equipment set
Visign MT5/RT5

- for Multiplex Trio Visign MT5, Rotaplex Trio Visign RT5
- series until I/2015

Components

- rotatable rosette, overflow rosette
- fig. 3

Model 6149.09

Version	PU	Article	DG
chrome-plated	1	699 055	10



Drain plug
 - for Multiplex, Multiplex Trio,
 Simplex
 - fig. 5
Model 6168-035

Version	PU	Article	DG
chrome-plated	50	215 392	10



Gasket
 - for drain plug, Multiplex,
 Multiplex Trio, Simplex
 - rubber
 - fig. 6
Model 6162-268

internal-Ø	Ø	H	PU	Article	DG
26	42	5	1	104 740	10



Screw
 - for valve top
 - fig. 7
Model 6162.45-593

M	L	PU	Article	DG
12	28	1	122 485	10



Valve top
 - for Multiplex, Multiplex Trio
 - brass chrome-plated
 - fig. 8
Model 6162-955

Ø	H	PU	Article	DG
70	16	1	119 812	10



Gasket
 - for valve top, Multiplex,
 Multiplex Trio, Simplex
 - fig. 9
Model 6162.473

internal-Ø	Ø	H	PU	Article	DG
43.5	76	21	1	398 378	10



Bowden cable
 - for Multiplex, Rotaplex and Simplex up to series 1st half 2014, Multiplex Trio and Rotaplex Trio
 up to series 1st half 2015
Components
 stainless steel rope
 - fig. 10

Model	L	SB	BCC	XLB	PU	Article	DG
6162-152	540	✓			1	135 027	10
6163-152	725		✓		1	160 418	10
6165-152	1070			✓	1	147 969	10

SB = standard bathtub
 BCC = bathtub central connection
 XLB = extra-long bathtub



Overflow pipe
 - for Citaplex, Multiplex, Multiplex Trio, Rotaplex, Rotaplex Trio
 - fig. 11

Model	L1	L2	SB	XLB	PU	Article	DG
6176-651	220	180	✓		1	113 124	10
6163.45-651					1	121 556	10
6165	660	300		✓	1	167 899	10

SB = standard bathtub
 XLB = extra-long bathtub



Coupling
 - for connection of the overflow unit
 with the overflow pipe
 - rubber
 - fig. 12
Model 6167-417

DN	d	PU	Article	DG
32	28	1	117 245	10


Connection piece

- for overflow fixing, Multiplex Trio
Visign MT5, Rotaplex Trio
Visign RT5
- not suitable for Multiplex Trio,
Rotaplex Trio, Multiplex Trio F,
Rotaplex Trio F
- gunmetal
- Viega plug-in seat
- fig. 13

Model 6149.93

G	L	PU	Article	DG
¾	64	1	698 119	10


Gasket

- for overflow, Multiplex Trio,
Rotaplex Trio
- fig. 14

Note

Is only required for bathtubs made of steel.

Model 6161.94

H	Ø	PU	Article	DG
3.5	76	1	695 927	10


Adjusting screw

- for drain plug, Multiplex,
Multiplex Trio

Model 6151-912

M	L	PU	Article	DG
5	25	1	110 277	10

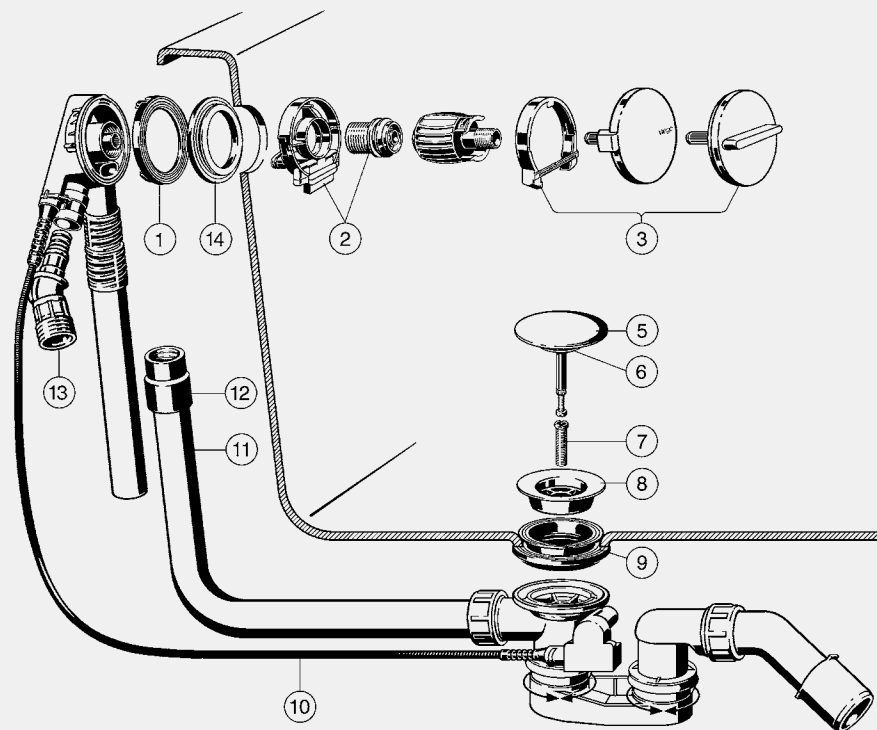

Mounting aid

- for Multiplex Trio, Rotaplex Trio

Model 6161.96

	PU	Article	DG
	1	632 342	10

MULTIPLEX TRIO VISIGN MT3/MT5, SERIES FROM II/2015



Gasket
 - for overflow, Multiplex Trio,
 Rotaplex Trio, series from II/2015
 - fig. 1
Model 6168.12

internal-Ø	Ø	H	PU	Article	DG
50	75	5	1	749 989	10



Inlet flange
 - for water supply, Multiplex Trio
 Visign MT3/MT5, Rotaplex Trio
 Visign RT3/RT5
 - series from II/2015

Components
 inlet flange, fixing screw
 - fig. 2
Model 6161.105

	PU	Article	DG
	1	734 626	10



Equipment set
Visign MT3/RT3
 - for Multiplex Trio Visign MT3,
 Rotaplex Trio Visign RT3
 - series from II/2015

Components
 rotatable rosette, overflow rosette
 - fig. 3
Model 6161.179

Version	PU	Article	DG
chrome-plated	1	734 640	10



Equipment set
Visign MT5/RT5
 - for Multiplex Trio Visign MT5,
 Rotaplex Trio Visign RT5
 - series from II/2015
Components
 rotatable rosette, overflow rosette
 - fig. 3
Model 6161.169

Version	PU	Article	DG
chrome-plated	1	734 633	10



Drain plug
 - for Multiplex, Multiplex Trio,
 Simplex
 - fig. 5
Model 6168-035

Version	PU	Article	DG
chrome-plated	50	215 392	10



Gasket
 - for drain plug, Multiplex,
 Multiplex Trio, Simplex
 - rubber
 - fig. 6
Model 6162-268

internal-Ø	Ø	H	PU	Article	DG
26	42	5	1	104 740	10



Screw
 - for valve top
 - fig. 7
Model 6162.45-593

M	L	PU	Article	DG
12	28	1	122 485	10



Valve top
 - for Multiplex, Multiplex Trio
 - brass chrome-plated
 - fig. 8
Model 6162-955

Ø	H	PU	Article	DG
70	16	1	119 812	10



Gasket
 - for valve top, Multiplex,
 Multiplex Trio, Simplex
 - fig. 9
Model 6162.473

internal-Ø	Ø	H	PU	Article	DG
43.5	76	21	1	398 378	10



Bowden cable
 - for Multiplex, Rotaplex and Simplex from series 2nd half 2014, Multiplex Trio and Rotaplex Trio
 from series 1st half 2015

Components
 stainless steel rope
 - fig. 10
Model 6162.19

L	SB	BCC	XLB	PU	Article	DG
560	✓			1	721 732	10
725		✓		1	721 749	10
1070			✓	1	721 954	10

SB = standard bathtub
 BCC = bathtub central connection
 XLB = extra-long bathtub



Overflow pipe
 - for Citaplex, Multiplex, Multiplex Trio, Rotaplex, Rotaplex Trio
 - fig. 11

Model	L1	L2	SB	XLB	PU	Article	DG
6176-651	220	180	✓		1	113 124	10
6163.45-651					1	121 556	10
6165	660	300		✓	1	167 899	10

SB = standard bathtub
 XLB = extra-long bathtub



Coupling
 - for connection of the overflow unit with the overflow pipe
 - rubber
 - fig. 12
Model 6167-417

DN	d	PU	Article	DG
32	28	1	117 245	10



Adjusting screw
 - for drain plug, Multiplex, Multiplex Trio
Model 6151-912

M	L	PU	Article	DG
5	25	1	110 277	10



Connection piece
 - for overflow fixing, Multiplex Trio, Visign MT5, Rotaplex Trio, Visign RT5
 - not suitable for Multiplex Trio, Rotaplex Trio, Multiplex Trio F, Rotaplex Trio F
 - gunmetal
 - Viega plug-in seat
 - fig. 13
Model 6149.93

G	L	PU	Article	DG
¾	64	1	698 119	10



Gasket
 - for overflow, Multiplex Trio, Rotaplex Trio
 - fig. 14
Note
 Is only required for bathtubs made of steel.
Model 6161.94

H	Ø	PU	Article	DG
3.5	76	1	695 927	10



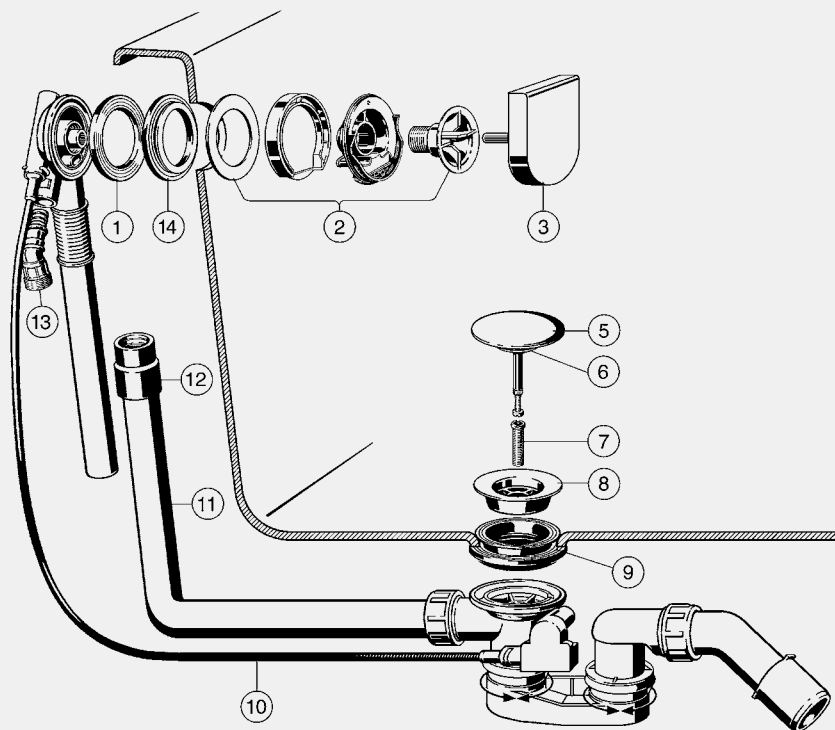
Inlet part
 - for water supply, Multiplex Trio, Visign MT3/MT5, Rotaplex Trio, Visign RT3/RT5
 - series from II/2015
Components
 flow control
Model 6161.249

	PU	Article	DG
	1	734 756	10



Mounting aid
 - for Multiplex Trio, Rotaplex Trio
Model 6161.96

	PU	Article	DG
	1	632 342	10

MULTIPLEX TRIO VISIGN MT9

Gasket

- for overflow, Multiplex Trio,
Rotaplex Trio, series from II/2015
- fig. 1

Model 6168.12

internal-Ø	Ø	H	PU	Article	DG
50	75	5	1	749 989	10


Flange

- for overflow fixing, Multiplex Trio
Visign MT9

Components

flange, overflow rosette, gasket,
fixing screw
- fig. 2

Model 6171.105

	PU	Article	DG
	1	734 787	10


Rotatable rosette
Visign M9/MT9

- for Multiplex Visign M9/MT9
- fig. 3

Model 6171.08

Version	PU	Article	DG
chrome-plated	1	734 770	10


Drain plug

- for Multiplex, Multiplex Trio,
Simplex
- fig. 5

Model 6168-035

Version	PU	Article	DG
chrome-plated	50	215 392	10



Gasket
 - for drain plug, Multiplex,
 Multiplex Trio, Simplex
 - rubber
 - fig. 6

Model 6162-268

internal-Ø	Ø	H	PU	Article	DG
26	42	5	1	104 740	10



Screw
 - for valve top
 - fig. 7

Model 6162.45-593

M	L	PU	Article	DG
12	28	1	122 485	10



Valve top
 - for Multiplex, Multiplex Trio
 - brass chrome-plated
 - fig. 8

Model 6162-955

Ø	H	PU	Article	DG
70	16	1	119 812	10



Gasket
 - for valve top, Multiplex,
 Multiplex Trio, Simplex
 - fig. 9

Model 6162.473

internal-Ø	Ø	H	PU	Article	DG
43.5	76	21	1	398 378	10



Bowden cable
 - for Multiplex, Rotaplex and Simplex from series 2nd half 2014, Multiplex Trio and Rotaplex Trio
 from series 1st half 2015

Components
 stainless steel rope
 - fig. 10

Model 6162.19

L	SB	BCC	XLB	PU	Article	DG
560	✓			1	721 732	10
725		✓		1	721 749	10
1070			✓	1	721 954	10

SB = standard bathtub
 BCC = bathtub central connection
 XLB = extra-long bathtub



Overflow pipe
 - for Citaplex, Multiplex, Multiplex Trio, Rotaplex, Rotaplex Trio
 - fig. 11

Model	L1	L2	SB	XLB	PU	Article	DG
6176-651	220	180	✓		1	113 124	10
6163.45-651					1	121 556	10
6165	660	300		✓	1	167 899	10

SB = standard bathtub
 XLB = extra-long bathtub



Coupling
 - for connection of the overflow unit
 with the overflow pipe
 - rubber
 - fig. 12

Model 6167-417

DN	d	PU	Article	DG
32	28	1	117 245	10



Adjusting screw
 - for drain plug, Multiplex,
 Multiplex Trio

Model 6151-912

M	L	PU	Article	DG
5	25	1	110 277	10


Connection piece

- for overflow fixing, Multiplex Trio
Visign MT5, Rotaplex Trio
Visign RT5
- not suitable for Multiplex Trio,
Rotaplex Trio, Multiplex Trio F,
Rotaplex Trio F
- gunmetal
- Viega plug-in seat
- fig. 13

Model 6149.93

G	L	PU	Article	DG
¾	64	1	698 119	10


Gasket

- for overflow, Multiplex Trio,
Rotaplex Trio
- fig. 14

Note

Is only required for bathtubs made of steel.

Model 6161.94

H	Ø	PU	Article	DG
3.5	76	1	695 927	10


Inlet part

- for water supply, Multiplex Trio,
water level increase plus 5 cm

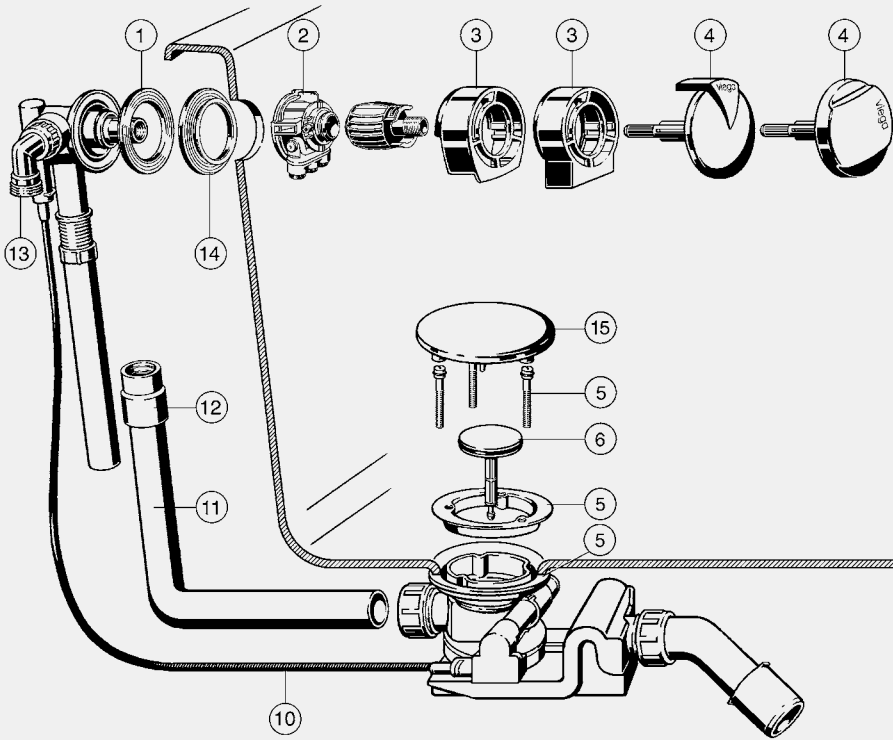
Components

flow control

Model 6171.240

	PU	Article	DG
	1	734 794	10

ROTAPLEX TRIO VISIGN RT1/RT2



Gasket

- for overflow, Citaplex, Multiplex, Multiplex Trio, Rotaplex, Rotaplex Trio, Simplex
- series until 2014
- fig. 1

Model 9959.4

internal-Ø	Ø	H	PU	Article	DG
48.5	76	5	10	398 385	10



Inlet flange

- for water supply, Multiplex Trio, Rotaplex Trio, series from 01/2006
- series until I/2015

Components

- aerator
- fig. 2

Model 6161.90

	PU	Article	DG
	1	575 779	10



Overflow rosette

- for inlet flange, Multiplex Trio Visign MT1, Rotaplex Trio Visign RT1
- fig. 3

Model 6161.04

Version	PU	Article	DG
chrome-plated	1	333 287	10



Overflow rosette

- for inlet flange, Multiplex Trio Visign MT2, Rotaplex Trio Visign RT2
- fig. 3

Model 6161.91

Version	PU	Article	DG
chrome-plated	1	575 410	10



Rotatable rosette
Visign MT1/RT1
 - for Multiplex Trio, Rotaplex Trio
 - fig. 4
Model 6161.03

Version	PU	Article	DG
chrome-plated	1	309 664	10



Rotatable rosette
Visign MT2/RT2
 - for Multiplex Trio, Rotaplex Trio
 - series until I/2015
 - fig. 4
Model 6161.92

Version	PU	Article	DG
chrome-plated	1	575 427	10



Mounting set
 - for Rotaplex, Rotaplex Trio
Components
 fixing flange, profile seal, fixing screws
 - fig. 5
Model 6142.91

	PU	Article	DG
	1	575 403	10



Drain plug
 - for Rotaplex, Rotaplex Trio
 - plastic
 - fig. 6
Model 6142.90

	PU	Article	DG
	1	575 397	10



Bowden cable
Components
 stainless steel rope
 - fig. 10

Model	L	BCC	XLB	PU	Article	DG
6163-152	725	✓		1	160 418	10
6165-152	1070		✓	1	147 969	10

BCC = bathtub central connection
 XLB = extra-long bathtub



Bowden cable
 - for Multiplex, Rotaplex and Simplex from series 2nd half 2014, Multiplex Trio and Rotaplex Trio from series 1st half 2015
Components
 stainless steel rope
 - fig. 10
Model 6162.19

L	SB	BCC	XLB	PU	Article	DG
560	✓			1	721 732	10
725		✓		1	721 749	10
1070			✓	1	721 954	10

SB = standard bathtub
 BCC = bathtub central connection
 XLB = extra-long bathtub

- fig. 11



Model	PU	Article	DG
6163.45-651	1	121 556	10
6165	1	167 899	10



Coupling
 - for connection of the overflow unit with the overflow pipe
 - rubber
 - fig. 12

Model 6167-417

DN	d	PU	Article	DG
32	28	1	117 245	10



Connection elbow 90°
 - for Multiplex Trio, Rotaplex Trio
 - not suitable for Multiplex Trio Visign MT5, Rotaplex Trio Visign RT5
 - brass
 - fig. 13

Model 6161.98

G	internal-Ø	PU	Article	DG
¾	19	1	693 862	10



Gasket
 - for overflow, Multiplex Trio, Rotaplex Trio
 - fig. 14

Note
 Is only required for bathtubs made of steel.

Model 6161.94

H	Ø	PU	Article	DG
3.5	76	1	695 927	10



Cover cap
 - for Rotaplex, Rotaplex Trio
 - fig. 15

Model 6142.92

Ø	Version	PU	Article	DG
115	chrome-plated	1	695 941	10



Spacer ring
 - for inlet flange, series until 2005

Model 6161.22-597

d	H	PU	Article	DG
33	4	1	300 128	10



Inlet part
 - for Multiplex Trio, Rotaplex Trio
 - series until I/2015

Model 6161.998

	PU	Article	DG
	1	581 640	10



Fixing set
 - suitable for inlet part model 6161.998

Model 6161.93

M	L	PU	Article	DG
4	43	1	587 017	10



Inlet part
 - for aerator with metal insert, Multiplex Trio, Rotaplex Trio, series until 2005/2006

Model 6161.229

	PU	Article	DG
	1	300 012	10



Inlet part
 - for flow control with larger flow (i.e. hard water), Multiplex Trio, Rotaplex Trio, series until 2005/2006

Model 6161.239

	PU	Article	DG
	1	351 076	10



Insert
 - for Rotaplex, Rotaplex Trio, series until 2004

Components
 drain plug with lifting mechanism

Model 6142

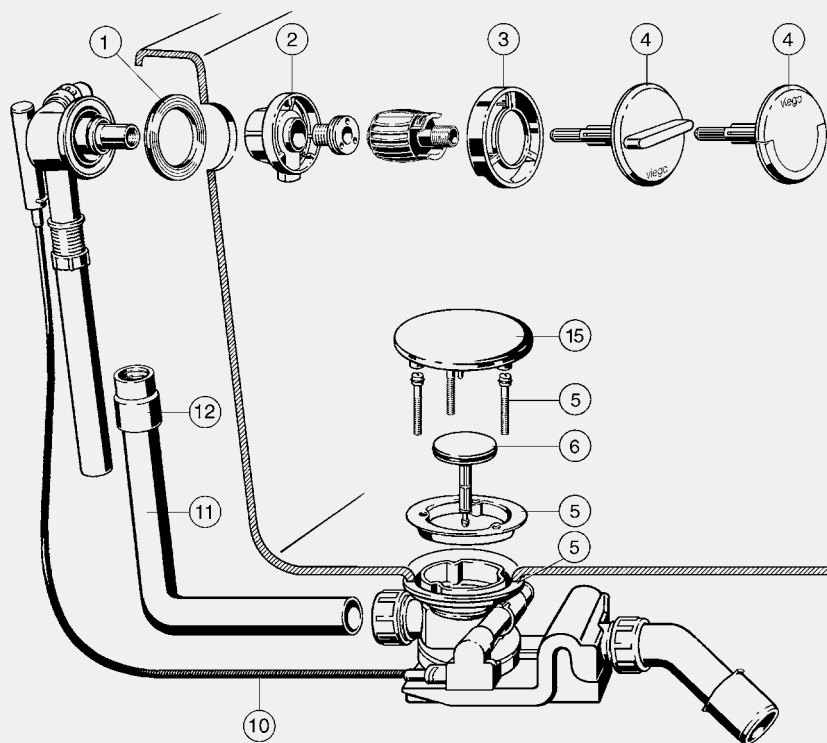
	PU	Article	DG
	1	450 434	14



Mounting aid
- for Multiplex Trio, Rotaplex Trio
Model 6161.96

	PU	Article	DG
	1	632 342	10

ROTAPLEX TRIO VISIGN RT3/RT4



Gasket

- for overflow, Multiplex Trio
Visign MT3/MT4, Rotaplex Trio
Visign RT3/RT4

- fig. 1

Model 6161.106

internal-Ø	Ø	H	PU	Article	DG
54	80	7.7	1	632 311	10



Inlet flange

- for water supply, Multiplex Trio
Visign MT3/MT4, Rotaplex Trio
Visign RT3/RT4

- series until I/2015

Components

fixing screw

- fig. 2

Model 6161.107

	PU	Article	DG
	1	632 304	10



Overflow rosette

- for inlet flange, Multiplex Trio
Visign MT3/MT4, Rotaplex Trio
Visign RT3/RT4

- series until I/2015

- fig. 3

Model 6161.108

	PU	Article	DG
	1	632 298	10



Rotatable rosette Visign MT3/RT3

- for Multiplex Trio, Rotaplex Trio
- series until I/2015

- fig. 4

Model 6161.109

Version	PU	Article	DG
chrome-plated	1	632 274	10



Rotatable rosette
Visign MT4/RT4
 - for Multiplex Trio, Rotaplex Trio
 - fig. 4
Model 6161.159

Version	PU	Article	DG
chrome-plated	1	632 281	10



Mounting set
 - for Rotaplex, Rotaplex Trio
Components
 fixing flange, profile seal, fixing screws
 - fig. 5
Model 6142.91

	PU	Article	DG
	1	575 403	10



Drain plug
 - for Rotaplex, Rotaplex Trio
 - plastic
 - fig. 6
Model 6142.90

	PU	Article	DG
	1	575 397	10



Bowden cable
Components
 stainless steel rope
 - fig. 10

Model	L	BCC	XLB	PU	Article	DG
6163-152	725	✓		1	160 418	10
6165-152	1070		✓	1	147 969	10

BCC = bathtub central connection
 XLB = extra-long bathtub



- fig. 11

Model	PU	Article	DG
6163.45-651	1	121 556	10
6165	1	167 899	10



Coupling
 - for connection of the overflow unit
 with the overflow pipe
 - rubber
 - fig. 12
Model 6167-417

DN	d	PU	Article	DG
32	28	1	117 245	10



Connection elbow 90°
 - for Multiplex Trio, Rotaplex Trio
 - not suitable for Multiplex Trio
 Visign MT5, Rotaplex Trio
 Visign RT5
 - brass
 - fig. 13
Model 6161.98

G	internal-Ø	PU	Article	DG
¾	19	1	693 862	10



Gasket
 - for overflow, Multiplex Trio,
 Rotaplex Trio
 - fig. 14
Note
 Is only required for bathtubs made
 of steel.
Model 6161.94

H	Ø	PU	Article	DG
3.5	76	1	695 927	10



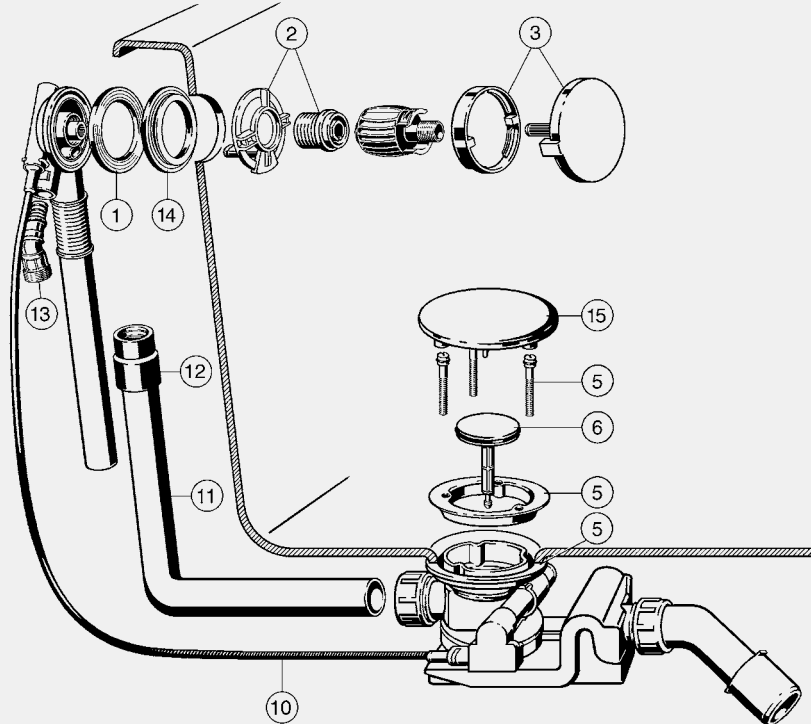
Cover cap
 - for Rotaplex, Rotaplex Trio
 - fig. 15
Model 6142.92

Ø	Version	PU	Article	DG
115	chrome-plated	1	695 941	10



Mounting aid
 - for Multiplex Trio, Rotaplex Trio
Model 6161.96

	PU	Article	DG
	1	632 342	10

ROTAPLEX TRIO VISIGN RT5

Gasket

- for overflow, Citaplex, Multiplex, Multiplex Trio, Rotaplex, Rotaplex Trio, Simplex
- series until 2014
- fig. 1

Model 9959.4

internal-Ø	Ø	H	PU	Article	DG
48.5	76	5	10	398 385	10


Inlet flange

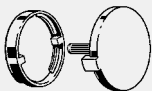
- for water supply, Multiplex Trio, Visign MT5, Rotaplex Trio, Visign RT5
- series until I/2015

Components

- fixing screws
- fig. 2

Model 6149.90

	PU	Article	DG
	1	698 089	10


Equipment set
Visign MT5/RT5

- for Multiplex Trio Visign MT5, Rotaplex Trio Visign RT5
- series until I/2015

Components

- rotatable rosette, overflow rosette
- fig. 3

Model 6149.09

Version	PU	Article	DG
chrome-plated	1	699 055	10



Mounting set
 - for Rotaplex, Rotaplex Trio
Components
 fixing flange, profile seal, fixing screws
 - fig. 5
Model 6142.91

	PU	Article	DG
	1	575 403	10



Drain plug
 - for Rotaplex, Rotaplex Trio
 - plastic
 - fig. 6
Model 6142.90

	PU	Article	DG
	1	575 397	10



Bowden cable
Components
 stainless steel rope
 - fig. 10

Model	L	BCC	XLB	PU	Article	DG
6163-152	725	✓		1	160 418	10
6165-152	1070		✓	1	147 969	10

BCC = bathtub central connection
 XLB = extra-long bathtub



- fig. 11

Model		PU	Article	DG
6163.45-651		1	121 556	10
6165		1	167 899	10



Coupling
 - for connection of the overflow unit with the overflow pipe
 - rubber
 - fig. 12
Model 6167-417

DN	d	PU	Article	DG
32	28	1	117 245	10



Connection piece
 - for overflow fixing, Multiplex Trio, Visign MT5, Rotaplex Trio, Visign RT5
 - not suitable for Multiplex Trio, Rotaplex Trio, Multiplex Trio F, Rotaplex Trio F
 - gunmetal
 - Viega plug-in seat
 - fig. 13
Model 6149.93

G	L	PU	Article	DG
¾	64	1	698 119	10



Gasket
 - for overflow, Multiplex Trio, Rotaplex Trio
 - fig. 14
Note
 Is only required for bathtubs made of steel.
Model 6161.94

H	Ø	PU	Article	DG
3.5	76	1	695 927	10



Cover cap
 - for Rotaplex, Rotaplex Trio
 - fig. 15
Model 6142.92

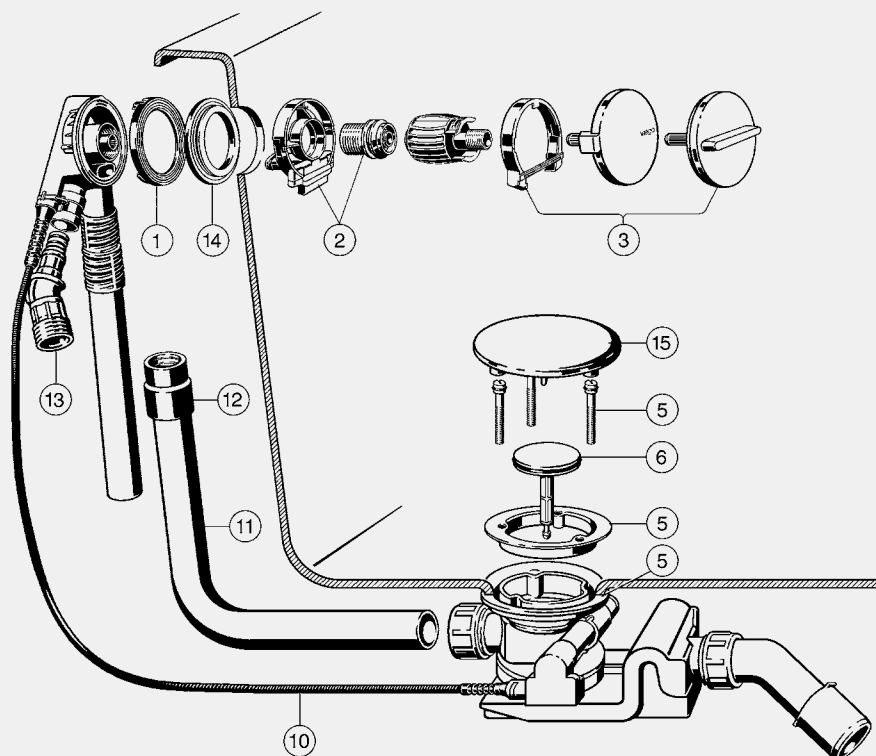
Ø	Version	PU	Article	DG
115	chrome-plated	1	695 941	10



Mounting aid
 - for Multiplex Trio, Rotaplex Trio
Model 6161.96

	PU	Article	DG
	1	632 342	10

ROTAPLEX TRIO VISIGN RT3/RT5, SERIES FROM II/2015



Gasket

- for overflow, Multiplex Trio, Rotaplex Trio, series from II/2015
- fig. 1

Model 6168.12

internal-Ø	Ø	H	PU	Article	DG
50	75	5	1	749 989	10



Inlet flange

- for water supply, Multiplex Trio Visign MT3/MT5, Rotaplex Trio Visign RT3/RT5
- series from II/2015

Components

- inlet flange, fixing screw
- fig. 2

Model 6161.105

	PU	Article	DG
	1	734 626	10



Equipment set

Visign MT3/RT3

- for Multiplex Trio Visign MT3, Rotaplex Trio Visign RT3
- series from II/2015

Components

- rotatable rosette, overflow rosette
- fig. 3

Model 6161.179

Version	PU	Article	DG
chrome-plated	1	734 640	10



Equipment set
Visign MT5/RT5
 - for Multiplex Trio Visign MT5,
 Rotaplex Trio Visign RT5
 - series from II/2015
Components
 rotatable rosette, overflow rosette
 - fig. 3
Model 6161.169

Version	PU	Article	DG
chrome-plated	1	734 633	10



Mounting set
 - for Rotaplex, Rotaplex Trio
Components
 fixing flange, profile seal, fixing
 screws
 - fig. 5
Model 6142.91

	PU	Article	DG
	1	575 403	10



Drain plug
 - for Rotaplex, Rotaplex Trio
 - plastic
 - fig. 6
Model 6142.90

	PU	Article	DG
	1	575 397	10



Bowden cable
 - for Multiplex, Rotaplex and Simplex from series 2nd half 2014, Multiplex Trio and Rotaplex Trio
 from series 1st half 2015
Components
 stainless steel rope
 - fig. 10
Model 6162.19

L	SB	BCC	XLB	PU	Article	DG
560	✓			1	721 732	10
725		✓		1	721 749	10
1070			✓	1	721 954	10

SB = standard bathtub
 BCC = bathtub central connection
 XLB = extra-long bathtub



Overflow pipe
 - for Citaplex, Multiplex, Multiplex Trio, Rotaplex, Rotaplex Trio
 - fig. 11

Model	L1	L2	SB	XLB	PU	Article	DG
6176-651	220	180	✓		1	113 124	10
6163.45-651					1	121 556	10
6165	660	300		✓	1	167 899	10

SB = standard bathtub
 XLB = extra-long bathtub



Coupling
 - for connection of the overflow unit
 with the overflow pipe
 - rubber
 - fig. 12
Model 6167-417

DN	d	PU	Article	DG
32	28	1	117 245	10



Connection piece

- for overflow fixing, Multiplex Trio
Visign MT5, Rotaplex Trio
Visign RT5
- not suitable for Multiplex Trio,
Rotaplex Trio, Multiplex Trio F,
Rotaplex Trio F
- gunmetal
- Viega plug-in seat
- fig. 13

Model 6149.93

G	L	PU	Article	DG
¾	64	1	698 119	10



Gasket

- for overflow, Multiplex Trio,
Rotaplex Trio
- fig. 14

Note

Is only required for bathtubs made of steel.

Model 6161.94

H	Ø	PU	Article	DG
3.5	76	1	695 927	10



Inlet part

- for water supply, Multiplex Trio
Visign MT3/MT5, Rotaplex Trio
Visign RT3/RT5
- series from II/2015

Components

flow control

Model 6161.249

	PU	Article	DG
	1	734 756	10



Cover cap

- for Rotaplex, Rotaplex Trio
- fig. 15

Model 6142.92

Ø	Version	PU	Article	DG
115	chrome-plated	1	695 941	10

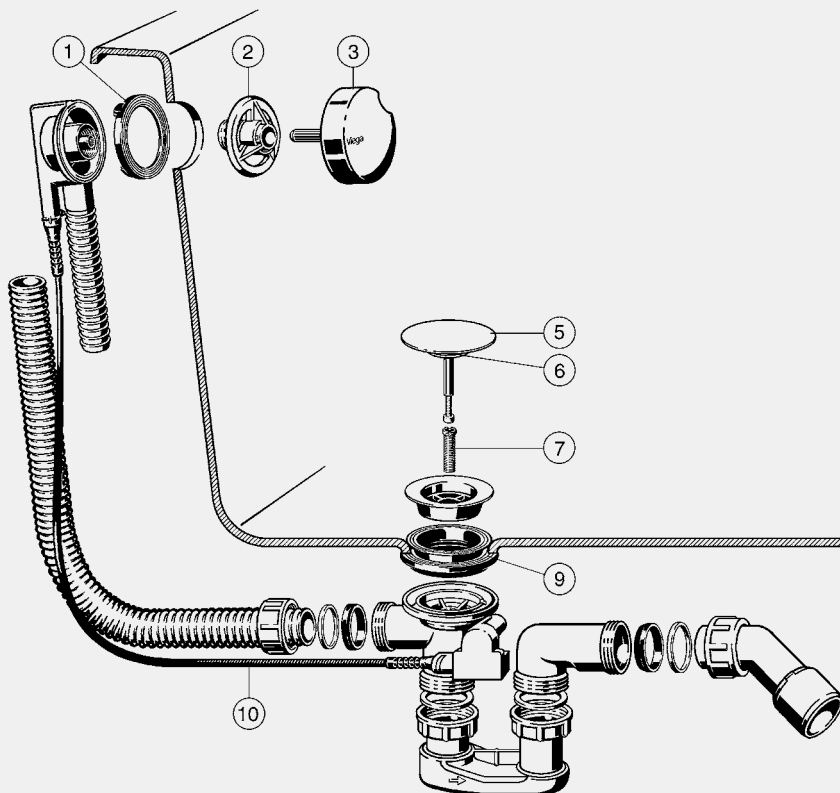


Mounting aid

- for Multiplex Trio, Rotaplex Trio

Model 6161.96

	PU	Article	DG
	1	632 342	10

SIMPLEX


Gasket
 - for overflow, Citaplex, Multiplex,
 Multiplex Trio, Rotaplex,
 Rotaplex Trio, Simplex
 - series until 2014
 - fig. 1
Model 9959.4

internal-Ø	Ø	H	PU	Article	DG
48.5	76	5	10	398 385	10



Flange
 - for overflow fixing, Multiplex (old),
 Simplex
 - series until 2014
 - fig. 2
Model 9784.3-236

	PU	Article	DG
	1	477 608	10



Flange
 - for overflow fixing, Multiplex,
 Rotaplex
 - series until 2014
 - fig. 2
Model 6168-236

	PU	Article	DG
	1	143 138	10



Simplex
 - for series from 2009
 - fig. 3
Model 6168.02

Version	PU	Article	DG
chrome-plated	1	657 406	10



Drain plug
 - for Multiplex, Multiplex Trio,
 Simplex
 - fig. 5
Model 6168-035

Version	PU	Article	DG
chrome-plated	50	215 392	10



Screw
 - for valve top
 - fig. 7
Model 6162.45-593

M	L	PU	Article	DG
12	28	1	122 485	10



Gasket
 - for valve top, Multiplex,
 Multiplex Trio, Simplex
 - fig. 9
Model 6162.473

internal-Ø	Ø	H	PU	Article	DG
43.5	76	21	1	398 378	10



Gasket
 - for drain plug, Multiplex,
 Multiplex Trio, Simplex
 - rubber
 - fig. 6
Model 6162-268

internal-Ø	Ø	H	PU	Article	DG
26	42	5	1	104 740	10



Bowden cable
 - for Multiplex, Rotaplex and Simplex up to series 1st half 2014, Multiplex Trio and Rotaplex Trio
 up to series 1st half 2015

Components
 stainless steel rope
 - fig. 10

Model	L	SB	BCC	PU	Article	DG
6162-152	540	✓		1	135 027	10
6163-152	725		✓	1	160 418	10

SB = standard bathtub
 BCC = bathtub central connection



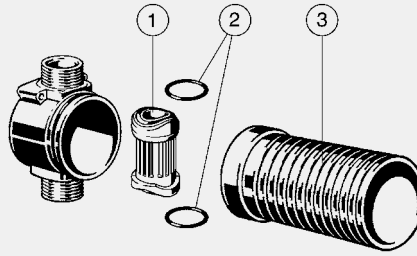
Bowden cable
 - for Multiplex, Rotaplex and Simplex from series 2nd half 2014, Multiplex Trio and Rotaplex Trio
 from series 1st half 2015

Components
 stainless steel rope
 - fig. 10

Model 6162.19

L	SB	BCC	PU	Article	DG
560	✓		1	721 732	10
725		✓	1	721 749	10

SB = standard bathtub
 BCC = bathtub central connection

PIPE INTERRUPTERS


Insert
 - for concealed pipe interrupter
 - fig. 1
Model 6161.82

	PU	Article	DG
	1	137 588	10



Gasket set
 - for pipe interrupter insert
 - fig. 2
Model 6161.84

Ø	s	QS	PU	Article	DG
24	2.5	2	1	429 287	10

QS = Quantity per set



Top stem
 - plastic
 - cuttable
 - fig. 3
Model 6161.8-117

d	L	PU	Article	DG
54	100	1	160 623	15



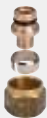
Connection piece
 - for concealed pipe interrupter,
 connection set, pressure test
Model 6161.83

	PU	Article	DG
	1	147 051	10



Screw fitting
 - gunmetal
 - R-thread
 - angled
Model 2014

d	R	PU	Article	DG
16	½	10	101 954	78

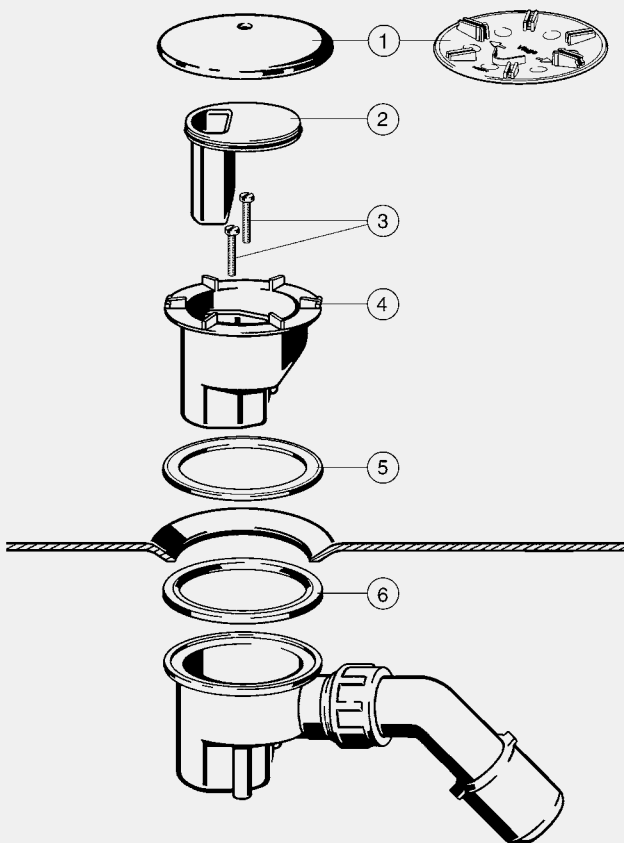


Connection screw fitting
Model 2019

d	PU	Article	DG
16	10	100 988	78

TEMPOPLEX, SERIES FROM 1997-2001

figure 1 = model 6956.0



Tempoplex Immersion pipe
 - for series from 1997-2001
 - fig. 2
Model 6956.1-821

Ø	H	PU	Article	DG
83	66	1	318 260	90



Tempoplex Screw set
 - for casing upper part, series from 1997-2001
 - fig. 3
Model 6956.1-90C

M	QS	PU	Article	DG
5	2	1	324 476	90

QS = Quantity per set



Tempoplex Casing upper part
 - for series from 1997-2001
 - fig. 4
Model 6956.1-253

Ø	H	PU	Article	DG
110	82	1	318 284	90



Tempoplex Gasket
 - for series from 1997-2001
Model 6956.1-182

internal-Ø	Ø	PU	Article	DG
86	114	1	318 314 ¹	10
88	115	1	318 321 ²	10

¹⁾ lying below the shower tray

²⁾ lying above the shower tray



Tempoplex Immersion pipe
 - for series until 1996
 - plastic
Model 6956-632

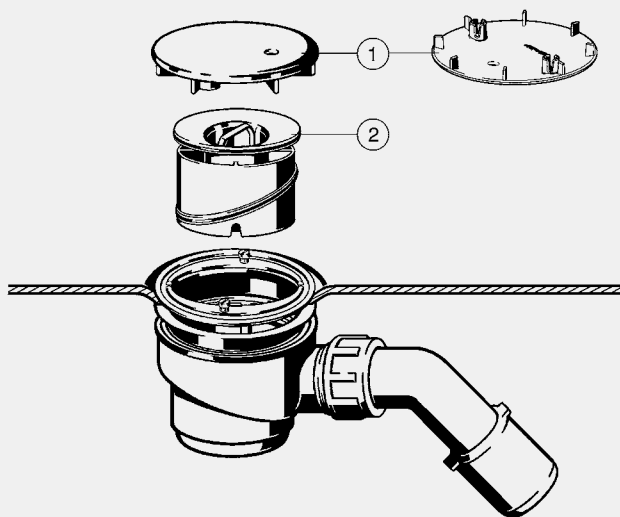
Ø	H	PU	Article	DG
54	70	1	177 829	90



Tempoplex Flange
 - for series until 1996
Model 6956-820

internal-Ø	Ø	PU	Article	DG
61	113	1	192 204	90

TEMPOPLEX, SERIES FROM 2001



Tempoplex Conversion kit
 - for drain, Tempoplex, series from 2001
 - plastic chrome-plated
Components
 screws with O-ring, cover cap
 - fig. 1
Model 6958.99

Ø	PU	Article	DG
112	1	581 633	90



Tempoplex Immersion pipe
 - for series from 2001-2006
 - plastic
 - fig. 2
Model 6958.1-821

H	PU	Article	DG
65	1	450 229	90

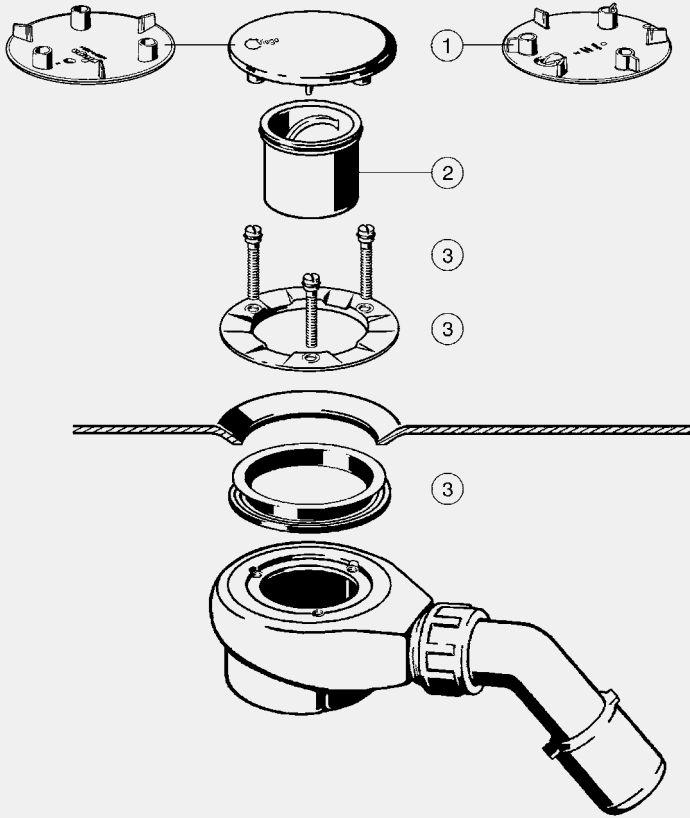


Tempoplex Sieve insert
 - for series from 2001-2006
Model 6958.96

	PU	Article	DG
	1	625 221	90

TEMPOPLEX, SERIES FROM 2006

figure 1 = model 6964.0



Tempoplex Immersion pipe
 - for series from 2006
 - fig. 2
Model 6961.99

Ø	H	PU	Article	DG
70	60	1	582 982	90



Tempoplex Immersion pipe
 - for Tempoplex 60 mm
 - fig. 2
Model 6963.99

Ø	H	PU	Article	DG
70	40	1	696 399	90



Tempoplex Mounting set
 - for drain hole Ø 90 mm
Components
 screws, stainless steel flange,
 gasket
 - fig. 3
Model 6960.98

	PU	Article	DG
	1	582 975	90



Tempoplex Gasket
 - for drain hole Ø 90 mm
Model 6961.95

Ø	H	PU	Article	DG
116	4.5	1	632 656	90
116	15	1	632 663¹⁾	90
116	26.5	1	632 670	90

¹⁾ standard seal



Screw set

- for Rotaplex, Rotaplex Trio, Tempoplex, Tempoplex Plus, Tempoplex 60 mm, Domoplex

Model 6961.94

M	L	QS	PU	Article	DG
5	30	3	1	632 687	90
5	42	3	1	632 694	90
5	78	3	1	632 700	90

QS = Quantity per set



Plug

- for Tempoplex, Tempoplex Plus, series from 2010

Model 6961.93

Ø	PU	Article	DG
30	1	675 387	90



Plug

- for Tempoplex 60 mm, series from 2011

Model 6963.93

	PU	Article	DG
	1	719 210	90



Sieve insert

- for Tempoplex, Tempoplex Plus, Tempoplex 60 mm, series from 2006

- not suitable for Tempoplex drain model 6956EX

Model 6961.96

	PU	Article	DG
	1	582 951	90



Locking screw set

- for Tempoplex, Domoplex

Components

locking screws M5x30x9 mm

Note

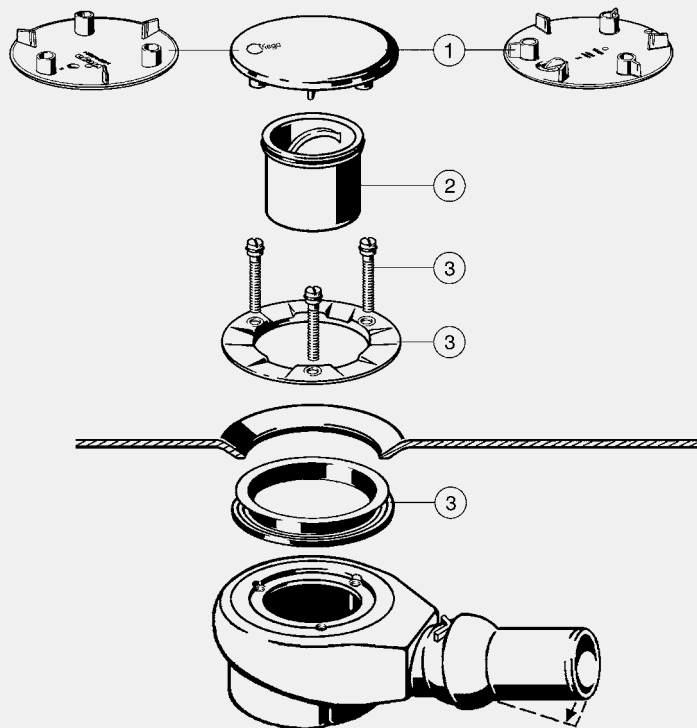
Locking screws cannot be removed after mounting!

Model 6161.65

	PU	Article	DG
	1	789 305	90

TEMPOPLEX PLUS

figure 1 = model 6964.0



Tempoplex Plus Immersion pipe
 - for series from 2006
 - fig. 2
Model 6960.99

Ø	H	PU	Article	DG
70	68	1	582 968	90



Tempoplex Mounting set
 - for drain hole Ø 90 mm
Components
 screws, stainless steel flange,
 gasket
 - fig. 3
Model 6960.98

	PU	Article	DG
	1	582 975	90



Tempoplex Gasket
 - for drain hole Ø 90 mm
Model 6961.95

Ø	H	PU	Article	DG
116	4.5	1	632 656	90
116	15	1	632 663¹⁾	90
116	26.5	1	632 670	90

¹⁾ standard seal


Screw set
 - for Rotaplex, Rotaplex Trio,
 Tempoplex, Tempoplex Plus,
 Tempoplex 60 mm, Domoplex
Model 6961.94

M	L	QS	PU	Article	DG
5	30	3	1	632 687	90
5	42	3	1	632 694	90
5	78	3	1	632 700	90

QS = Quantity per set



Plug
 - for Tempoplex, Tempoplex Plus,
 series from 2010
Model 6961.93

Ø	PU	Article	DG
30	1	675 387	90



Sieve insert
 - for Tempoplex, Tempoplex Plus,
 Tempoplex 60 mm, series from
 2006
 - not suitable for Tempoplex drain
 model 6956EX
Model 6961.96

	PU	Article	DG
	1	582 951	90



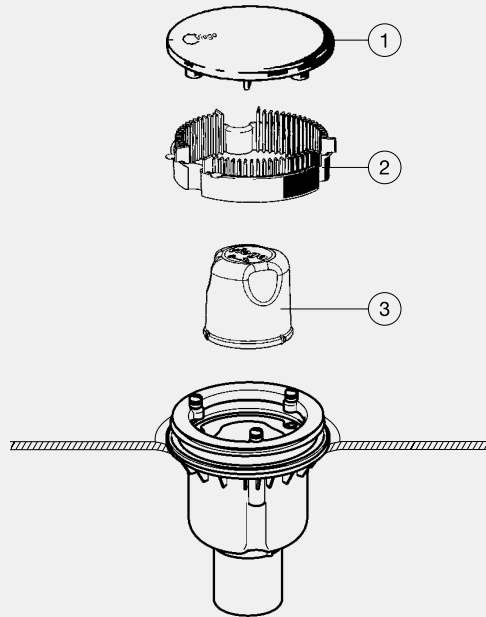
Locking screw set
 - for Tempoplex, Domoplex
Components
 locking screws M5x30x9 mm
Note
 Locking screws cannot be removed
 after mounting!
Model 6161.65

	PU	Article	DG
	1	789 305	90

TEMPOPLEX (VERTICAL), SERIES FROM 2021

figure 1 = model 6964.0

figure 2 = model 6965.90


Sieve insert

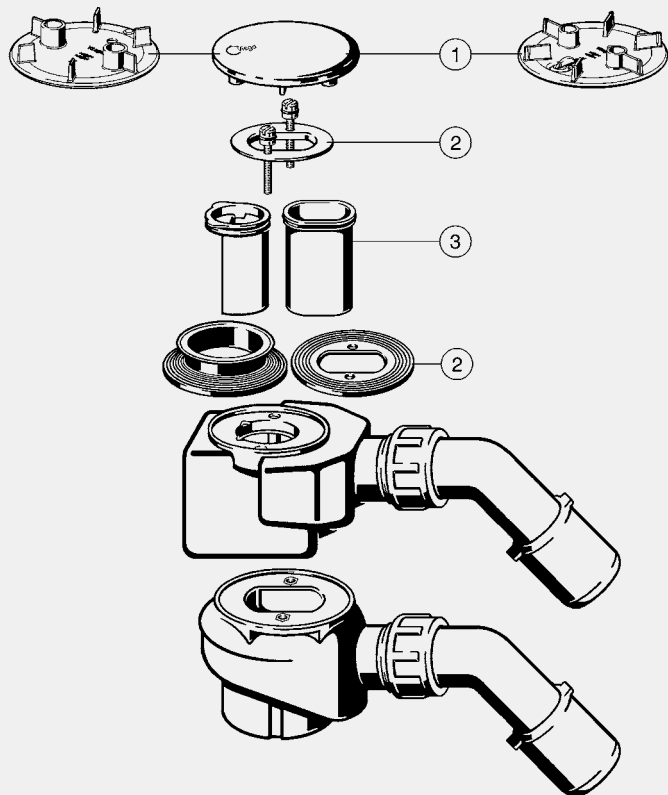
 - suitable for Tempoplex drain
 model 6965, Tempoplex drain
 functional unit model 6965.1

Model 6965.90

	PU	Article	DG
	1	801 809	90

DOMOPLEX

figure 1 = models 6930.0 and 6931.0



Domoplex Mounting set
- for drain hole Ø 52 mm, series from 1996

Components
screws, stainless steel flange, gasket
- fig. 2

Model 6928.1-90C

	PU	Article	DG
	1	232 405	90



Domoplex Mounting set
- for drain hole Ø 65 mm, series from 1996

Components
screws, stainless steel flange, gasket
- fig. 2

Model 6929.1-90C

	PU	Article	DG
	1	330 835	90



Domoplex Immersion pipe
- for series from 1996–2015
- plastic
- fig. 3

Model 6928.1-821

H	PU	Article	DG
63	1	317 232	90



Domoplex Immersion pipe
 - for series until 1996 and from series 2015
 - plastic
 - fig. 3
Model 6928-821

H	PU	Article	DG
63	1	290 856	90



Plug
 - for Domoplex, series from 2015
Model 6928.93

PU	Article	DG
1	750 640	90

DRAINS FOR BATHTUBS AND SHOWER TRAYS



Citaplex Rosette
- stainless steel
Model 6176.9-545

	PU	Article	DG
	1	118 785	10



Self-tapping screw
- for rosette
- stainless steel
Model 6176-153

M	L	PU	Article	DG
4.8	13	1	120 559	10



Citaplex Flange
- for overflow
Model 6176-236

	PU	Article	DG
	1	111 267	90



Ball chain
Model 9925.290

L	PU	Article	DG
500	1	105 211	60
700	1	104 221	90



Valve top
- for chain fitting
- stainless steel
Components
sieve
Model 6211-454

Ø	PU	Article	DG
70	1	102 364	10



Citaplex Valve top
- stainless steel
Components
cross
Model 6211KZ-454

Ø	SB	PU	Article	DG
70	✓	1	114 015	10

SB = standard bathtub



Varioplex Valve top
- stainless steel
Model 7531-454

Ø	PU	Article	DG
70	10	141 059	10



Drain plug
Components
click-close technology
Model 6977.9

Version	PU	Article	DG
chrome-plated	1	585 334	10



Gasket
- suitable for drain plug model 6977.9
Model 6977.91

internal-Ø	Ø	H	PU	Article	DG
30	44	4.5	1	585 341	10



Screw
- stainless steel
Model 5111V-593

M	L	PU	Article	DG
6	35	50	282 523	10



Connection screw fitting
- brass
- flat sealing
Model 1325

G	d	PU	Article	DG
1¼	32	5	110 482	90
1½	38	10	114 053	90



Waste elbow 90°
- brass
Model 1328

G	d	PU	Article	DG
1¼	32	10	127 657	90



Lock nut
- flat sealing
Components
polygon
Model 9941

G	Ø	Version	PU	Article	DG
¾	49	uncoated	10	102 258	10
1	60	matt nickel-plated	10	103 866	10
1¼	62	matt nickel-plated	10	121 327	10
1¼	70	uncoated	10	118 297	10
1½	70	uncoated	10	106 034	10
2	88	uncoated	1	117 412*	10
2½	104	uncoated	1	128 333	10

* = Discontinued, limited availability



Lock nut
- brass
- conical sealing
Model 9942

G	Ø	PU	Article	DG
1¼	63	1	109 486	10
1½	70	1	115 029	10
2	88	1	125 189	10



Spring washer
- galvanised steel
Model 9952-571

internal-Ø	Ø	H	PU	Article	DG
48	68	0.5	1	125 608	10



Spring washer
- galvanised steel
Components
grounding screw
Model 9952.1

internal-Ø	Ø	H	PU	Article	DG
42	68	1	1	142 858	10
48	68	1	1	118 532	10



Gasket
- for waste elbow 45°
Model 9967V

internal-Ø	Ø	H	PU	Article	DG
37	42	9.5	25	679 965	90



Gasket
- for drain valve with plates
Ø 70 mm
Model 9959.1-182

internal-Ø	Ø	H	PU	Article	DG
50	70	7	1	103 262	10



Waste elbow 45°
- for connection to the wastewater system
- non-adhesive
Model 6162.99

DN	PU	Article	DG
40/50	1	719 265	10

DRAINS FOR WASHBASINS AND BIDETS



Cover cap
- for Visign V1 universal valve,
Visign V1 slotted valve
- round
Model 5430.9

Version	PU	Article	DG
chrome-plated	1	585 280	10



Cover cap
 - for Visign V2 universal valve,
 Visign V2 slotted valve
 - angular
Model 5434.9

Version	PU	Article	DG
chrome-plated	1	585 303	10



Click-close cover
 - for Visign V1 universal valve,
 Visign V1 slotted valve
 - round
Model 5431.9

Version	PU	Article	DG
chrome-plated	1	585 297	10



Click-close cover
 - for Visign V2 universal valve,
 Visign V2 slotted valve
 - angular
Model 5435.9

Version	PU	Article	DG
chrome-plated	1	585 310	10



Gasket
 - for Visign V1 universal valve,
 Visign V1 slotted valve
Model 5431.91

internal-Ø	Ø	H	PU	Article	DG
30	41	4.5	1	585 327	10



Cover cap standpipe
 - plastic chrome-plated
Components
 valve body
Model 5420.9

Ø	H	PU	Article	DG
63	113	1	613 648	60



Cover cap
 - for slotted valve
 - plastic chrome-plated
Model 5413.0

Version	PU	Article	DG
	1	446 109	10



Odour trap insert
 - suitable for odour trap
 model 5633.1, 5633.2
Model 5633.15

Version	PU	Article	DG
	1	754 754	90



Eleganta Rosette
Model 5788.80

Ø	DN	H	Version	PU	Article	DG
80	32	15	chrome-plated	1	603 502	90



Eleganta Rosette
 - for corner valve
Model 5788.49

internal-Ø	Ø	H	Version	PU	Article	DG
23	60	12	chrome-plated	1	613 549	90



Rosette
Model 5753-545

Ø	DN	H	Version	PU	Article	DG
66	32	15	uncoated	50	104 245	12


Rosette
Model 5763-545

Ø	DN	H	Version	PU	Article	DG
80	40	15	chrome-plated	25	127 787	12


Rosette
Model 5787-545

Ø	DN	H	Version	PU	Article	DG
80	32	24	chrome-plated	10	110 628	10


Model 5711-545

Ø	DN	H	Version	PU	Article	DG
70	32	35	chrome-plated	1	104 962	12
85	32	50	chrome-plated	1	111 380	12
85	40	50	chrome-plated	1	128 722	12


Rosette
Model 5611-545

internal-Ø	Ø	H	Version	PU	Article	DG
38	70	14	chrome-plated	1	258 573	11


Plug
 - for wastewater pipe
 - plastic
Model 5693

DN	Version	PU	Article	DG
32	chrome-plated	10	112 547	90
32	white	10	120 603	90


Pipe aerator
Model 5691

Version	PU	Article	DG
chrome-plated	1	116 248	90


Valve top
 - stainless steel
Model 5111-454

Ø	PU	Article	DG
60	1	101 107	10


Connection screw fitting
 - brass
 - flat sealing
Model 1325

G	d	PU	Article	DG
1¼	32	5	110 482	90
1½	38	10	114 053	90


Drain pipe
 - plastic
Model 1325K

G	DN	PU	Article	DG
1¼	32	25	123 048	90
1½	40	25	113 162	90


Waste elbow 90°
 - brass
Model 1328

G	d	PU	Article	DG
1¼	32	10	127 657	90


Sieve
 - stainless steel
Model 5115-563

Ø	PU	Article	DG
60	1	115 258	10



Valve bottom
- brass matt nickel-plated
Model 5121-667

G	PU	Article	DG
1¼	1	109 653	10



Gasket
- for universal valve
Model 9959 V

internal-Ø	Ø	H	Version	PU	Article	DG
50	65	5	grey	25	282 592	10



Screw
- stainless steel
Model 5111V-593

M	L	PU	Article	DG
6	35	50	282 523	10
6	55	50	282 486	10
6	60	50	282 493	10
6	80	50	282 509	10
6	100	25	282 516¹⁾	10

¹⁾ brass nickel-plated



Immersion pipe
- for bottle odour trap
- plastic

Model	for G	L	for cups Ø	E	PU	Article	DG
5753-632	1¼	96	50		1	108 342	10
5763-632	1¼	100	60		1	126 056	10
5788-632	1¼	106		✓	1	670 962	10

E = for Eleganta 1, 2 and 3



Union nut
- brass
Model 1325V-654

G	H	CP	PU	Article	DG
1¼	10		50	192 907	11
1½	10		50	192 921	11
1¼	10	✓	10	192 914	11

CP = chrome-plated



Union nut
- brass chrome-plated
Model 1325-654

G	H	PU	Article	DG
1½	10	1	118 471	11
1	10	1	108 748	11



Union nut
- brass
- high version
Model 1325.2-654

G	H	PU	Article	DG
1¼	15	1	118 563	11
1½	15	1	113 292	11
1¼	15	1	123 437	11
1½	15	1	122 089	11



Pipe
- for drain pipe extension
- plastic
- without: flanged rim
Model 5725V-542

d	L	PU	Article	DG
32	200	25	193 508	60
32	250	10	613 280	60
40	200	10	699 987	60



Gasket
Model 9957V

internal-Ø	Ø	H	PU	Article	DG
24	30	2	10	667 399	10
30	39	2	100	193 560	10
36	45	2	100	193 553	10
46	56.5	3	100	281 137	10



Gasket
- for adjusting pipe
Model 9955V

internal-Ø	Ø	H	PU	Article	DG
28	40	5	100	595 197	10



Gasket
Model 9953

internal-Ø	Ø	H	PU	Article	DG
42	60	2	1	106 461	10
50	54	3	1	104 313	10
57	62	3	1	108 908	10



Gasket
- for adjustable, floor or drain pipe
of the WB or bidet odour trap
- conical sealing
Model 9965.3V

for G	Ø	PU	Article	DG
1¼	32	100	193 522	11
1½	40	10	667 412	90



Gasket
- for slotted valve
Model 9962.3-473

for G	Ø	PU	Article	DG
1¼	60	1	115 043	10



Sealing panel
- for wastewater hose connection
Model 9968V

Ø	H	PU	Article	DG
30.5	2	10	667 719	10



Gasket
- for plastic odour trap
- conical sealing
Model 9965-182

for G	Ø	PU	Article	DG
1¼	32	1	366 445	10
1¼	34	1	110 130	10



Gasket set
Model 9971.5

	PU	Article	DG
	1	122 782	10

DRAINS FOR SINKS, BASINS AND APPLIANCES



Connection screw fitting
- brass
- flat sealing
Model 1325

G	d	PU	Article	DG
1¼	32	5	110 482	90
1½	38	10	114 053	90



Sieve
- stainless steel
Model 7111-563

Ø	PU	Article	DG
80	1	107 833	10



Valve top
- stainless steel
Model 7112.1-454

Ø	PU	Article	DG
80	1	116 101	10



Valve bottom
- brass
Model 7121-667

G	PU	Article	DG
1½	1	130 046	10
2	1	144 456	10



Valve bottom
- plastic
Model 7121K-971

G	PU	Article	DG
1½	1	114 336	60



Screw
- stainless steel
Model 5111V-593

M	L	PU	Article	DG
6	80	50	282 509	10



O-ring
Model 9958-455

Ø	s	PU	Article	DG
84	9	1	119 072	10



Gasket
Model 9953V

internal-Ø	Ø	H	PU	Article	DG
35	40	5	100	282 561	10



Gasket
- for sink complete drain
Model 9954.92-V

internal-Ø	Ø	H	PU	Article	DG
42	69	9	25	282 578	10



Gasket
Model 9957V

internal-Ø	Ø	H	PU	Article	DG
30	39	2	100	193 560	10
36	45	2	100	193 553	10
46	56.5	3	100	281 137	10



Gasket
- for adjustable, floor or drain pipe
of the WB or bidet odour trap
- conical sealing
Model 9965.3V

for G	Ø	PU	Article	DG
1¼	32	100	193 522	11
1½	40	10	667 412	90



Sliding ring
Model 7985.2-69V

internal-Ø	Ø	H	PU	Article	DG
40.5	45	4	100	282 585	60



Union nut
- plastic
Model 792-654

G	DN	PU	Article	DG
1	25	10	104 443	60
1¼	32	25	104 900	60
1½	40	1/100	557 652	60
2	50	1	117 054	60



Chain holder
- brass
Components
key surface, nut, gasket, triangular hook
Model 9918

M	L	Version	PU	Article	DG
6	10	matt nickel-plated	500	110 413	90
6	35	matt nickel-plated	1	117 337	10



Ball chain
Model 9925.290

L	PU	Article	DG
250	1	104 542	60
300	1	106 621	60
400	1	110 611	60



Ball chain
- brass
Components
chain holder
Model 9928.190

M	L1	L2	PU	Article	DG
6	10	300	1/500	103 354	60
6	35	250	1	113 872	90
6	35	300	1	112 349	90



Valve plug
Components
key ring
Model 9933.31

Ø	PU	Article	DG
45.5	1	107 352	10



Valve plug
Components
 triangular hook
Model 9934

Ø	PU	Article	DG
45.5	25	109 394	10



Valve plug
Components
 key ring
Model 9934.31

Ø	PU	Article	DG
45.5	25	107 987	10

DRAINS FOR WCS AND URINALS



Gasket
 - for WC connection elbow, WC
 connection pipe
Model 3811-268

internal-Ø	Ø	H	PU	Article	DG
72	127	14	1	112 103	71



Gasket
 - for WC flushing pipe connector
Model 3817.62

internal-Ø	Ø	H	PU	Article	DG
43	58	25	1	682 941	71



Mounting set
 covering accessories
Model 3817.816-897

QS	Version	PU	Article	DG
2	chrome-plated	1	107 505	71

QS = Quantity per set



Gasket
Model 3228-268

Ø	H	PU	Article	DG
84	34	1	137 229	10



Model 7985.94-268

Ø	H	PU	Article	DG
71.2	28	1/276	129 569	10



Gasket
Model 7989.270-268

Ø	H	PU	Article	DG
66	22	1	127 626	10



Gasket
Model 9782-268

Ø	H	PU	Article	DG
79.5	27.5	1	138 714	10



Gasket
Model 3233.220

Ø	H	PU	Article	DG
70	27.5	1	582 944	10

