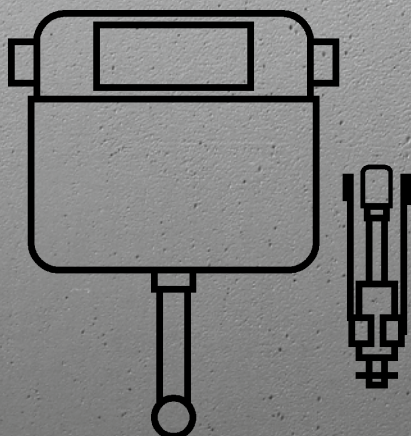
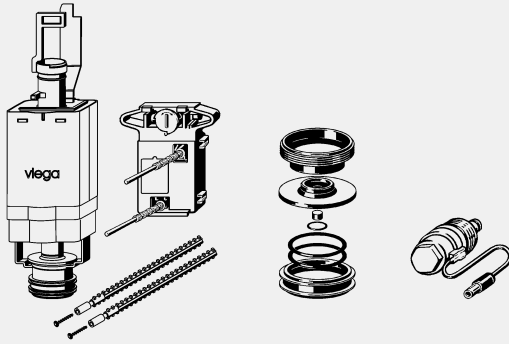


# PRE-WALL/FLUSHING TECHNOLOGY

**Spare parts and drainage accessories**



Spare parts for pre-wall/flushing technology.



**Subject to change without prior notice!**

Latest Z- and installation dimensions as well as further technical information can be found on the Viega website and have to be checked before purchase, planning, construction work and use. Our products are continuously optimised.

This product description contains important information on choice of product and system, mounting, commissioning as well as intended use and, if required, on maintenance measures. This information on products, their features and application techniques is based on currently valid standards in Europe (e.g. EN) and/or in Germany (e.g. DIN/DVGW). Some passages in the text may refer to technical regulations in Europe/Germany. These should be considered as recommendations for other countries where no corresponding national requirements exist. The relevant national laws, standards, regulations, directives and other technical provisions take priority over the German/European directives specified in this product description: The information herein is not binding for other countries and regions and should be understood as recommendation.

**TABLE OF CONTENTS**

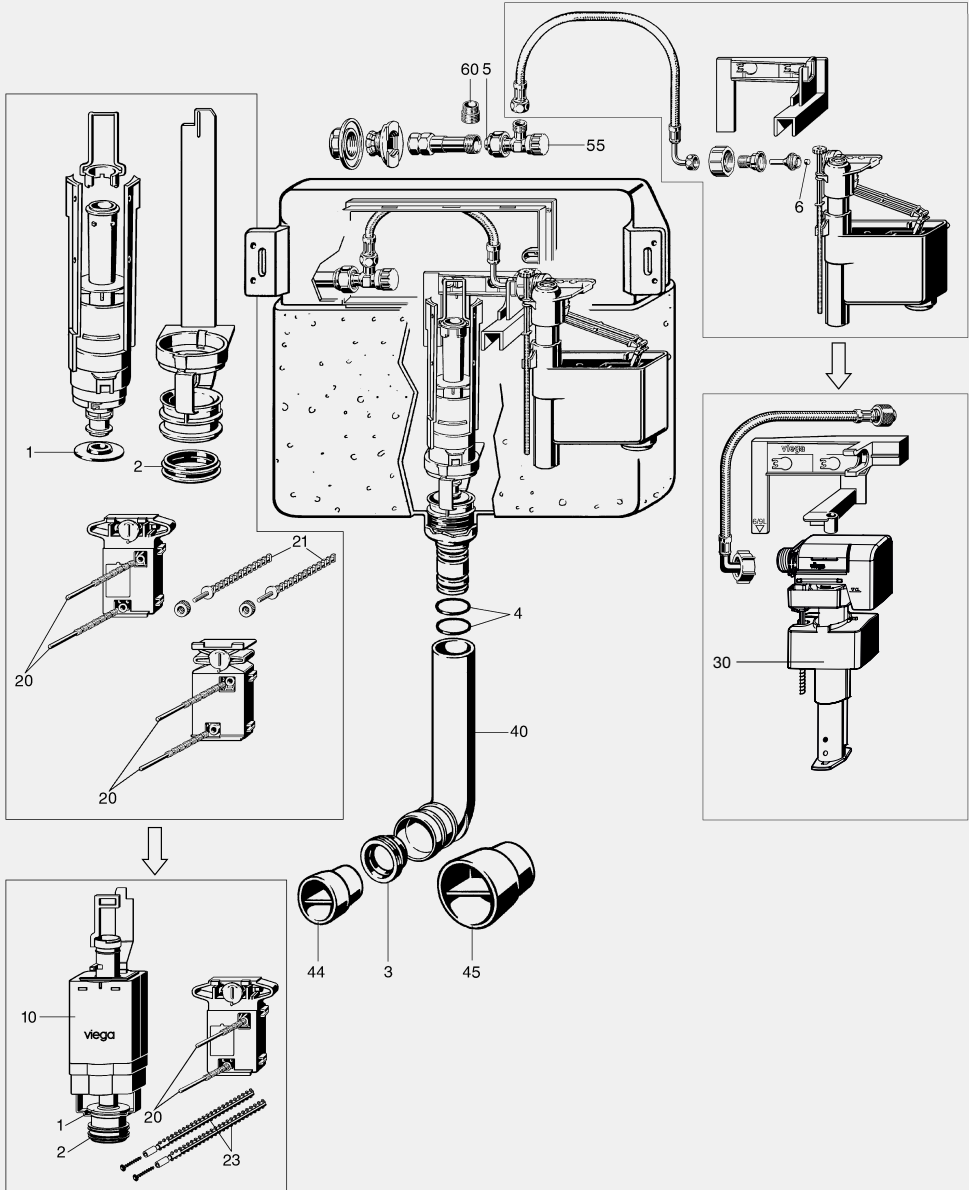
Concealed cisterns 1H, flush actuation from front	4
Concealed cisterns 1L, flush actuation from front	7
Concealed cisterns 1L, flush actuation from top	10
Concealed corner cisterns 1C, flush actuation from front	13
Concealed cisterns 1F for Visign flush plates, flush actuation from front	16
Concealed cisterns 2H, flush actuation from front	19
Concealed cisterns 2L, flush actuation from front or top	22
Concealed corner cisterns 2C, flush actuation from front	27
Concealed cisterns Standard 1S and 2S, flush actuation from front	30
Viega flush plates	34
Spare parts for Viega flush plates	37
Visign for Public	39
Visign for More sensitive	40
<b>Electronic flush actuations</b>	
Concealed cisterns 1H, 2H, Standard 1S and Standard 2S	42
Urinal equipment sets	44
<b>Urinal flushing systems</b>	
Series 2000 until 03/2011	45
Series from 04/2011	46
Infrared flush actuation, Visign for Public	48
Infrared flush actuation, series until 2014, Visign for More	50
Infrared flush actuation, series from 2015, Visign for More	52
HF radar flush actuation, series 09/2007 until 02/2009	54
Siphon sensor technology, series from 09/2009	54
Urinal inlet accessories	56
WC inlet accessories	56
Accessories	57
Filling valve sets for concealed/wall-mounted flush cisterns	58
Individually height-adjustable WC elements	58
Individually height-adjustable washbasin elements	58
Concealed connection box	59
<b>Drainage accessories</b>	
Branches, connection elbows	60
Connection sets	62
Offset elbows	63
Waste elbows	63


**GTIN-Code (Global Trade Item Number previously EAN-code)**

The GTIN number consists of the constant manufacturer number 4015211 and the six-digit article number, in this example 305 611. The exchange of the last six digits for the article number reveals the GTIN code.

### CONCEALED CISTERNS 1H, FLUSH ACTUATION FROM FRONT

Concealed cistern 1H for Visign flush plates, actuation from front, from series 1999–2007, fitted in:  
 Viegaswift models 8000, 8000.90, 8000.99, 8032, 8039 and 8112  
 Steptec model 8461  
 Viega Eco Plus models 8161.5, 8161.80 and 8161.90  
 Viega Mono model 8310




**Drain valve set**

- for concealed cistern 1H, concealed cistern 2H, conversion to flush plate Visign for Style or Visign for More
- plastic
- flush actuation from front, dual flush technology

**Components**

drain valve set, drain valve seat, actuation mechanism, actuating rod set, threaded bolt set, bow

- fig. 1, 2, 10, 20, 22, 23

**Model 8310.0**

	PU	Article	DG
	1	611 224	65


**Filling valve set**

- for concealed cistern 1H, concealed cistern 1L, concealed cistern 2L, concealed cistern Standard 1S
- plastic

**Components**

filling valve, flexible hose, filling valve holder

- fig. 30

**Model 8310.74**

	PU	Article	DG
	1	759 254	65


**Gasket set**

- rubber

**Components**

O-ring set for drain sockets of concealed cisterns 1H, 2H, 1C, 2C, 1S and 2S, O-ring for corner valve, one gasket each for drain valve, drain valve seat, filling valve and flushing pipe elbow

- fig. 1, 2, 3, 4, 5, 6

**Model 8310.20**

	PU	Article	DG
	1	405 557	65


**Corner valve**

- for concealed cistern 1H, concealed cistern 1L, concealed cistern 1C, concealed cistern 2H, concealed cistern 2L, concealed cistern 2C, concealed cistern Standard 1S, concealed cistern Standard 2S

- brass
- G-thread

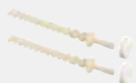
**Components**

easy mountable plug-in screw fitting with union nut G%, G% outlet

- fig. 5, 55

**Model 8310.28**

	PU	Article	DG
	1	407 575	65


**Threaded bolt set**

- for concealed cistern 1H, concealed cistern 1L, concealed cistern 1C, concealed cistern Standard 1S

- plastic
- fig. 21

**Model 8310.33**

QS	L	M	PU	Article	DG
2	120	6	1	407 636	65

QS = Quantity per set





**Actuating rod set**

- plastic
- fig. 20

**Model 8310.31**

M	L	QS	PU	Article	DG
8	130	2	1	<b>407 605</b>	65

QS = Quantity per set

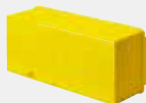


**Protective cover**

- for concealed cistern 1H, concealed cistern 1L, concealed cistern Standard 1S
- plastic

**Model 8310.46**

Version	PU	Article	DG
yellow	1	<b>462 192</b>	65



**Inspection frame**

- for concealed cistern 1H, concealed cistern 1L, concealed cistern 1C, concealed cistern 2H, concealed cistern 2L, concealed cistern 2C, concealed cistern Standard 1S, concealed cistern Standard 2S
- plastic

**Model 8310.35**

B	H	Version	PU	Article	DG
243	113	yellow	1	<b>407 650</b>	65

B = width



**Reducing nipple**

- for concealed cistern 1H, concealed cistern Standard 1S
- suitable for corner valve model 8310.28
- gunmetal
- R-thread
- fig. 60

**Model 8310.41**

M	G	SS	PU	Article	DG
5/8	1/2	12	5	<b>444 723</b>	65

SS = spanner size



**Flushing pipe elbow**

- for concealed cistern 1H, concealed cistern 1C, concealed cistern Standard 1S
- plastic
- fig. 3, 40

**Model 8310.37**

L	PU	Article	DG
285	1	<b>407 681</b>	65



**Protective plug**

- for flushing pipe elbow
- plastic

**Model 8310.39**

PU	Article	DG
1	<b>407 704</b>	65



**Protective plug**

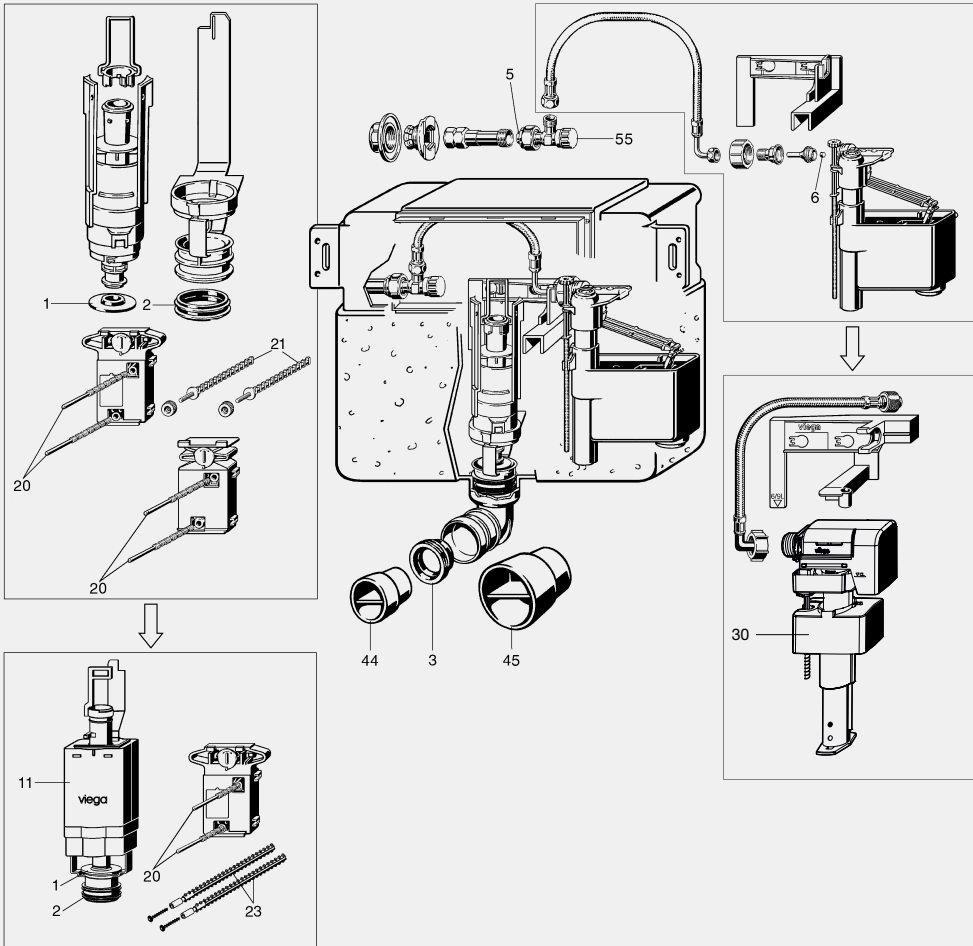
- for waste elbow DN90
- plastic
- fig. 45

**Model 8010.23**

DN	PU	Article	DG
90	1	<b>308 377</b>	65

**CONCEALED CISTERNS 1L, FLUSH ACTUATION FROM FRONT**

Concealed cistern 1L for Visign flush plates, low construction height version, actuation from front, from series 1999–2007, fitted in:  
 Viegaswift model 8038  
 Steptec model 8438  
 Viega Eco Plus model 8138  
 Viega Mono model 8338


**Drain valve set**

- for concealed cistern 1L, concealed cistern 2L, conversion to flush plate Visign for Style or Visign for More
- plastic
- low CH, flush actuation from front or top, dual flush technology

**Components**

drain valve set, drain valve seat, actuation mechanism, actuating rod set, threaded bolt set, bow  
 - fig. 1, 2, 11, 20, 22, 23

**Model 8038.0**

PU	Article	DG
1	611 231	65



**Filling valve set**

- for concealed cistern 1H, concealed cistern 1L, concealed cistern 2L, concealed cistern Standard 1S
- plastic

**Components**

filling valve, flexible hose, filling valve holder  
- fig. 30

**Model 8310.74**

	PU	Article	DG
	1	759 254	65



**Gasket set**

- rubber

**Components**

O-ring set for drain sockets of concealed cisterns 1H, 2H, 1C, 2C, 1S and 2S, O-ring for corner valve, one gasket each for drain valve, drain valve seat, filling valve and flushing pipe elbow  
- fig. 1, 2, 3, 4, 5, 6

**Model 8310.20**

	PU	Article	DG
	1	405 557	65



**Corner valve**

- for concealed cistern 1H, concealed cistern 1L, concealed cistern 1C, concealed cistern 2H, concealed cistern 2L, concealed cistern 2C, concealed cistern Standard 1S, concealed cistern Standard 2S
- brass
- G-thread

**Components**

easy mountable plug-in screw fitting with union nut G $\frac{1}{2}$ , G $\frac{3}{4}$  outlet  
- fig. 5, 55

**Model 8310.28**

	PU	Article	DG
	1	407 575	65



**Threaded bolt set**

- for concealed cistern 1H, concealed cistern 1L, concealed cistern 1C, concealed cistern Standard 1S
- plastic
- fig. 21

**Model 8310.33**

QS	L	M	PU	Article	DG
2	120	6	1	407 636	65

QS = Quantity per set



**Actuating rod set**

- plastic
- fig. 20

**Model 8310.31**

M	L	QS	PU	Article	DG
8	130	2	1	407 605	65

QS = Quantity per set



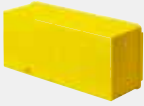
**Protective cover**

- for concealed cistern 1H, concealed cistern 1L, concealed cistern Standard 1S
- plastic

**Model 8310.46**

Version	PU	Article	DG
yellow	1	462 192	65




**Inspection frame**

- for concealed cistern 1H, concealed cistern 1L, concealed cistern 1C, concealed cistern 2H, concealed cistern 2L, concealed cistern 2C, concealed cistern Standard 1S, concealed cistern Standard 2S

- plastic

**Model 8310.35**

B	H	Version	PU	Article	DG
243	113	yellow	1	<b>407 650</b>	65

B = width


**Protective plug**

- for flushing pipe elbow

- plastic

**Model 8310.39**

	PU	Article	DG
	1	<b>407 704</b>	65


**Protective plug**

- for waste elbow DN90

- plastic

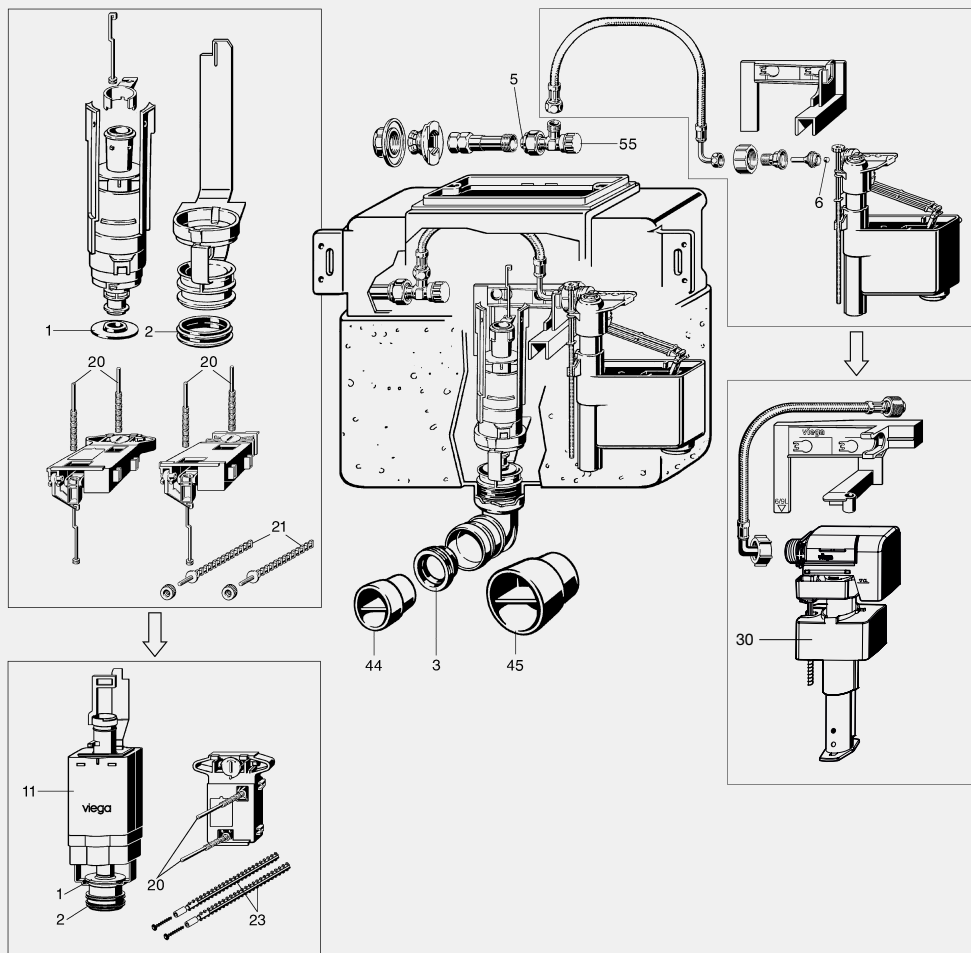
- fig. 45

**Model 8010.23**

DN	PU	Article	DG
90	1	<b>308 377</b>	65

## CONCEALED CISTERNS 1L, FLUSH ACTUATION FROM TOP

Concealed cistern 1L for Visign flush plates, execution low constructional height, actuation from top, from series 1999–2007, fitted in:  
 Viegaswift model 8037  
 Steptec model 8437  
 Viega Eco Plus model 8137  
 Viega Mono model 8337



### Drain valve set

- for concealed cistern 1L, concealed cistern 2L, conversion to flush plate Visign for Style or Visign for More
- plastic
- low CH, flush actuation from front or top, dual flush technology

### Components

drain valve set, drain valve seat, actuation mechanism, actuating rod set, threaded bolt set, bow  
 - fig. 1, 2, 11, 20, 22, 23

### Model 8038.0

PU	Article	DG
1	611 231	65


**Filling valve set**

- for concealed cistern 1H, concealed cistern 1L, concealed cistern 2L, concealed cistern Standard 1S
- plastic

**Components**

- filling valve, flexible hose, filling valve holder
- fig. 30

**Model 8310.74**

	PU	Article	DG
	1	759 254	65


**Gasket set**

- rubber

**Components**

- O-ring set for drain sockets of concealed cisterns 1H, 2H, 1C, 2C, 1S and 2S, O-ring for corner valve, one gasket each for drain valve, drain valve seat, filling valve and flushing pipe elbow
- fig. 1, 2, 3, 4, 5, 6

**Model 8310.20**

	PU	Article	DG
	1	405 557	65


**Corner valve**

- for concealed cistern 1H, concealed cistern 1L, concealed cistern 1C, concealed cistern 2H, concealed cistern 2L, concealed cistern 2C, concealed cistern Standard 1S, concealed cistern Standard 2S

- brass
- G-thread

**Components**

- easy mountable plug-in screw fitting with union nut G $\frac{1}{2}$ , G $\frac{3}{4}$  outlet
- fig. 5, 55

**Model 8310.28**

	PU	Article	DG
	1	407 575	65


**Threaded bolt set**

- for concealed cistern 1H, concealed cistern 1L, concealed cistern 1C, concealed cistern Standard 1S

- plastic
- fig. 21

**Model 8310.33**

QS	L	M	PU	Article	DG
2	120	6	1	407 636	65

QS = Quantity per set


**Actuating rod set**

- plastic
- fig. 20

**Model 8310.31**

M	L	QS	PU	Article	DG
8	130	2	1	407 605	65

QS = Quantity per set


**Protective cover**

- for concealed cistern 1H, concealed cistern 1L, concealed cistern Standard 1S

- plastic

**Model 8310.46**

Version	PU	Article	DG
yellow	1	462 192	65



**Inspection frame**

- for concealed cistern 1H, concealed cistern 1L, concealed cistern 1C, concealed cistern 2H, concealed cistern 2L, concealed cistern 2C, concealed cistern Standard 1S, concealed cistern Standard 2S

- plastic

**Model 8310.35**

B	H	Version	PU	Article	DG
243	113	yellow	1	<b>407 650</b>	65

B = width



**Protective plug**

- for flushing pipe elbow

- plastic

**Model 8310.39**

	PU	Article	DG
	1	<b>407 704</b>	65



**Protective plug**

- for waste elbow DN90

- plastic

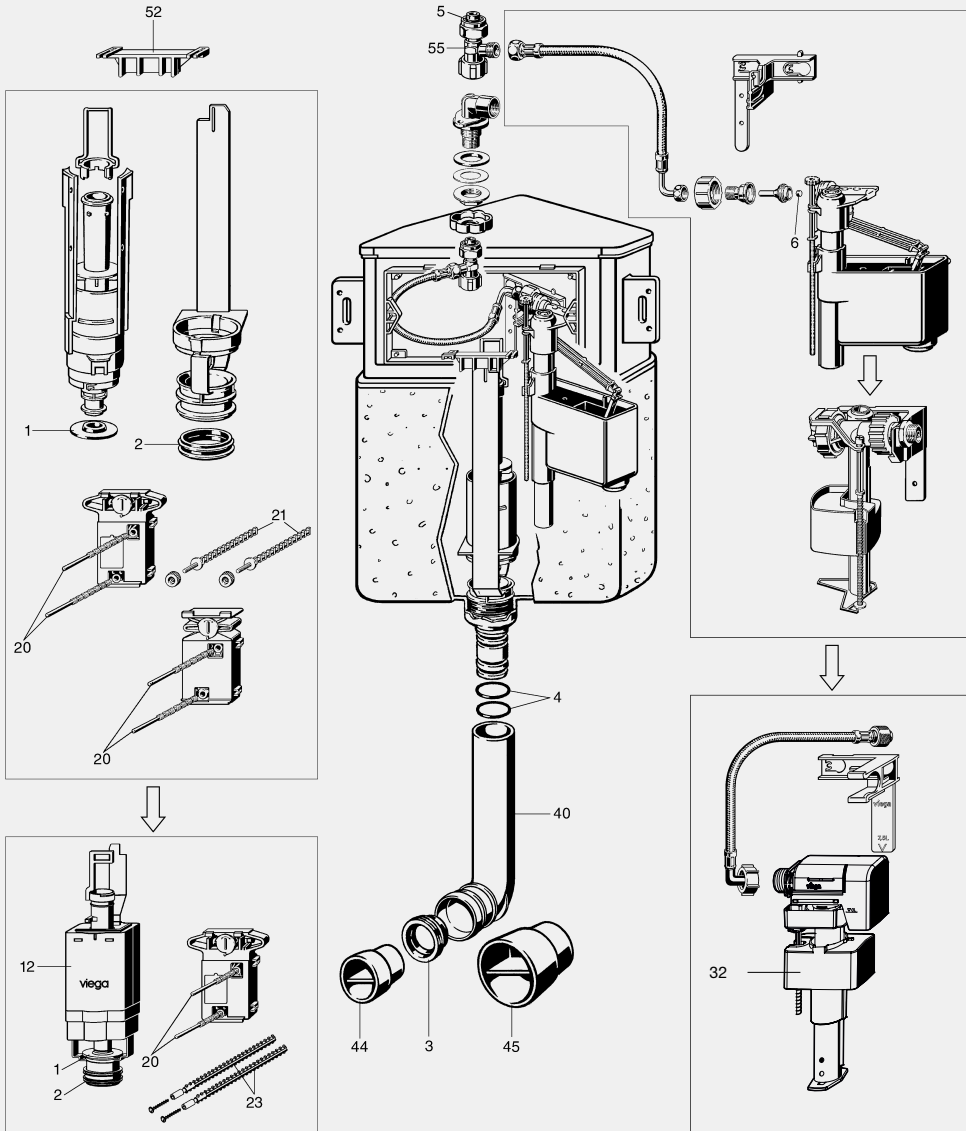
- fig. 45

**Model 8010.23**

DN	PU	Article	DG
90	1	<b>308 377</b>	65

**CONCEALED CORNER CISTERNS 1C, FLUSH ACTUATION FROM FRONT**

Concealed corner cistern 1C for Visign flush plates, from series 2005–2007, fitted in: Viega Eco Plus model 8141





**Spare part set**

- for concealed cistern 1C, concealed cistern 2C, conversion to flush plate Visign for Style or Visign for More
- plastic
- flush actuation from front, dual flush technology

**Components**

drain valve set, drain valve seat, actuation mechanism, actuating rod set, threaded bolt set, bow, filling valve  
 - fig. 1, 2, 12, 20, 22, 23, 32

**Model 8141.0**

	PU	Article	DG
	1	611 255	65



**Filling valve set**

- for concealed cistern 1C, concealed cistern 2C
- plastic

**Components**

filling valve, flexible hose, filling valve holder  
 - fig. 32

**Model 8310.72**

	PU	Article	DG
	1	717 742	65



**Gasket set**

- rubber

**Components**

O-ring set for drain sockets of concealed cisterns 1H, 2H, 1C, 2C, 1S and 2S, O-ring for corner valve, one gasket each for drain valve, drain valve seat, filling valve and flushing pipe elbow  
 - fig. 1, 2, 3, 4, 5, 6

**Model 8310.20**

	PU	Article	DG
	1	405 557	65



**Corner valve**

- for concealed cistern 1H, concealed cistern 1L, concealed cistern 1C, concealed cistern 2H, concealed cistern 2L, concealed cistern 2C, concealed cistern Standard 1S, concealed cistern Standard 2S

- brass
- G-thread

**Components**

easy mountable plug-in screw fitting with union nut G%, G% outlet  
 - fig. 5, 55

**Model 8310.28**

	PU	Article	DG
	1	407 575	65



**Threaded bolt set**

- for concealed cistern 1H, concealed cistern 1L, concealed cistern 1C, concealed cistern Standard 1S

- plastic
- fig. 21

**Model 8310.33**

QS	L	M	PU	Article	DG
2	120	6	1	407 636	65

QS = Quantity per set




**Actuating rod set**

- plastic
- fig. 20

**Model 8310.31**

M	L	QS	PU	Article	DG
8	130	2	1	<b>407 605</b>	65

QS = Quantity per set


**Protective cover**

- for concealed cistern 1C, concealed cistern 2H, concealed cistern 2L, concealed cistern 2C, concealed cistern Standard 2S
- plastic

**Components**

threaded bolt set

**Model 8310.19**

Version	PU	Article	DG
grey	1	<b>610 869</b>	65


**Inspection frame**

- for concealed cistern 1H, concealed cistern 1L, concealed cistern 1C, concealed cistern 2H, concealed cistern 2L, concealed cistern 2C, concealed cistern Standard 1S, concealed cistern Standard 2S
- plastic

**Model 8310.35**

B	H	Version	PU	Article	DG
243	113	yellow	1	<b>407 650</b>	65

B = width


**Restrainer**

- for concealed cistern 1C, concealed cistern 2C
- plastic
- fig. 52

**Model 8141.23**

PU	Article	DG
1	<b>573 188</b>	65


**Flushing pipe elbow**

- for concealed cistern 1H, concealed cistern 1C, concealed cistern Standard 1S
- plastic
- fig. 3, 40

**Model 8310.37**

L	PU	Article	DG
285	1	<b>407 681</b>	65


**Protective plug**

- for flushing pipe elbow
- plastic

**Model 8310.39**

PU	Article	DG
1	<b>407 704</b>	65


**Protective plug**

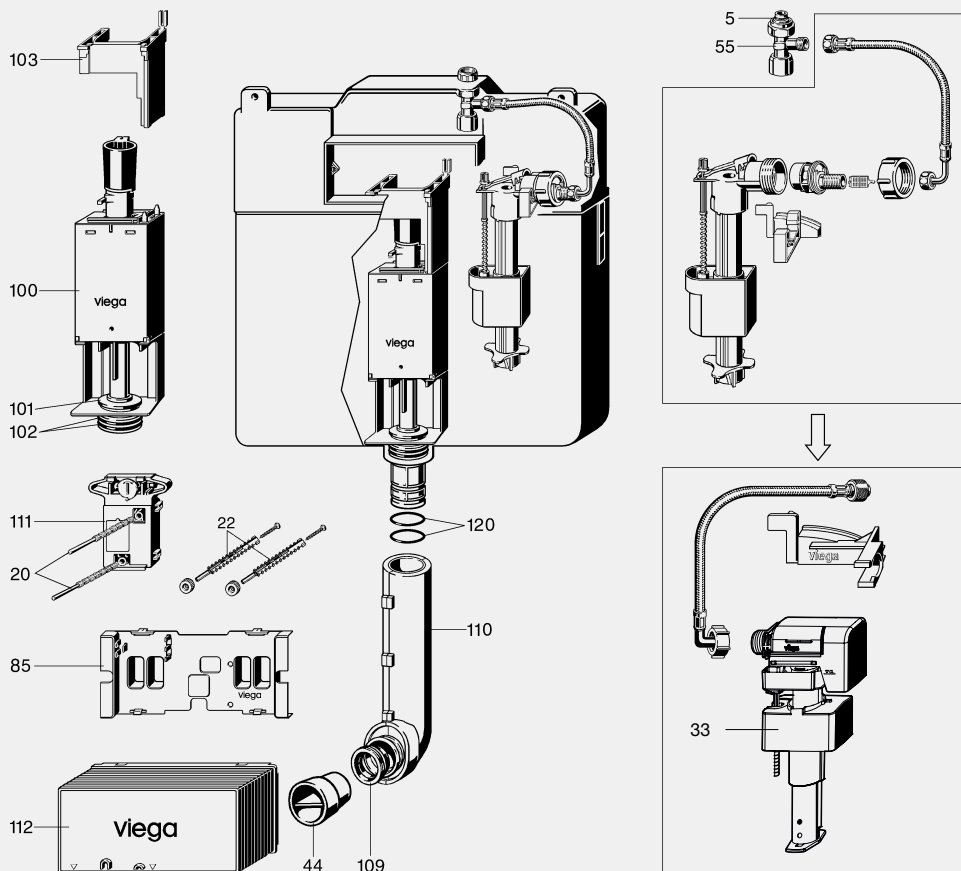
- for waste elbow DN90
- plastic
- fig. 45

**Model 8010.23**

DN	PU	Article	DG
90	1	<b>308 377</b>	65

**CONCEALED CISTERNS 1F FOR VISIGN FLUSH PLATES, FLUSH ACTUATION FROM FRONT**

Concealed cistern Visign 1F for Visign flush plates, actuation from front, from series 2009, fitted in:  
 Viega Mono Tec models 8308 and 8308.8  
 Viega Mono Slim model 8308.1



**Drain valve set**  
 - plastic  
 - fig. 100, 101, 102  
**Model 8308.81**

PU	Article	DG
1	662 677	65



**Gasket set**  
 - rubber  
**Components**  
 drain valve seal, valve seat seal  
 - fig. 101, 102  
**Model 8308.20**

PU	Article	DG
1	662 660	65


**Filling valve set**

- for concealed cistern 1F (8 cm)
- plastic

**Components**

- filling valve, flexible hose, filling valve holder
- fig. 33

**Model 8310.73**

	PU	Article	DG
	1	718 176	65


**Corner valve**

- for concealed cistern 1H, concealed cistern 1L, concealed cistern 1C, concealed cistern 2H, concealed cistern 2L, concealed cistern 2C, concealed cistern Standard 1S, concealed cistern Standard 2S
- brass
- G-thread

**Components**

- easy mountable plug-in screw fitting with union nut G $\frac{5}{8}$ , G $\frac{3}{8}$  outlet
- fig. 5, 55

**Model 8310.28**

	PU	Article	DG
	1	407 575	65


**Spacer**

- plastic
- fig. 103

**Model 8308.21**

	PU	Article	DG
	1	662 745	65


**Actuation mechanism**

- plastic
- dual flush technology, flush actuation from front

**Model 8308.59**

	PU	Article	DG
	1	662 707	65


**Bowden cable unit**

- plastic
- flush actuation from front or top, dual flush technology

**Model 8310.82**

L	PU	Article	DG
300	1	604 134	65

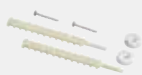

**Actuating rod set**

- plastic
- fig. 20

**Model 8310.31**

M	L	QS	PU	Article	DG
8	130	2	1	407 605	65

QS = Quantity per set



**Threaded bolt set**

- for concealed cistern 2H, concealed cistern 2L, concealed cistern 2C, concealed cistern Standard 2S
- plastic
- fig. 22

**Model 8250.1**

QS	L	M	PU	Article	DG
2	110	6	1	<b>605 575</b>	65

QS = Quantity per set



**Protective cover**

- plastic
- Components**
- threaded bolt set
- fig. 85

**Model 8308.19**

PU	Article	DG
1	<b>662 714</b>	65



**O-ring set**

- for concealed cistern drain socket, concealed cistern 1H, concealed cistern 1C, concealed cistern 2H, concealed cistern 2C, concealed cistern Standard 1S, concealed cistern Standard 2S
- rubber
- fig. 120

**Model 8310.40**

Ø	s	QS	PU	Article	DG
43	3	2	1	<b>408 978</b>	65

QS = Quantity per set



**Flushing pipe elbow**

- plastic
- Components**
- condensate insulation
- fig. 110

**Model 8308.24**

L	PU	Article	DG
275	1	<b>663 834*</b>	65

\* = Discontinued, limited availability



**Protective plug**

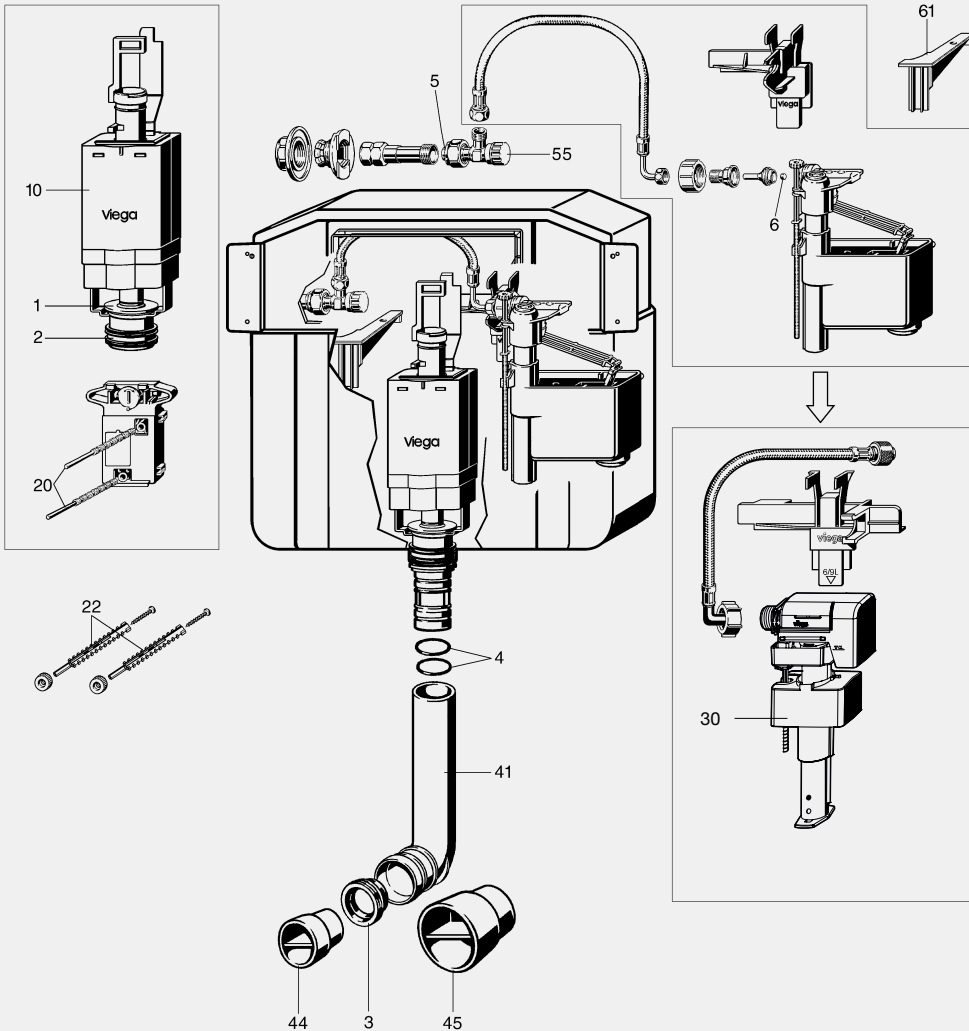
- for flushing pipe elbow
- plastic

**Model 8310.39**

PU	Article	DG
1	<b>407 704</b>	65

**CONCEALED CISTERNS 2H, FLUSH ACTUATION FROM FRONT**

Concealed cistern 2H for Visign flush plates, actuation from front, from series 2007, fitted in:  
 Viegaswift models 8000.2, 8000.3, 8032.2, 8032.3, 8039.2 and 8039.3  
 Steptec models 8461.2 and 8461.3  
 Viega Eco Plus model 8161.2  
 Viega Mono model 8310.2


**Drain valve set**

- for concealed cistern 1H, concealed cistern 2H, conversion to flush plate Visign for Style or Visign for More
- plastic
- flush actuation from front, dual flush technology

**Components**

drain valve set, drain valve seat, actuation mechanism, actuating rod set, threaded bolt set, bow  
 - fig. 1, 2, 10, 20, 22, 23

**Model 8310.0**

PU	Article	DG
1	611 224	65



**Filling valve set**

- for concealed cistern 2H, concealed cistern Standard 2S
- plastic

**Components**

- filling valve, flexible hose, filling valve holder
- fig. 31

**Model 8310.75**

	PU	Article	DG
	1	718 152	65



**Gasket set**

- rubber

**Components**

- O-ring set for drain sockets of concealed cisterns 1H, 2H, 1C, 2C, 1S and 2S, O-ring for corner valve, one gasket each for drain valve, drain valve seat, filling valve and flushing pipe elbow
- fig. 1, 2, 3, 4, 5, 6

**Model 8310.20**

	PU	Article	DG
	1	405 557	65



**Corner valve**

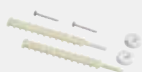
- for concealed cistern 1H, concealed cistern 1L, concealed cistern 1C, concealed cistern 2H, concealed cistern 2L, concealed cistern 2C, concealed cistern Standard 1S, concealed cistern Standard 2S
- brass
- G-thread

**Components**

- easy mountable plug-in screw fitting with union nut G $\frac{1}{2}$ , G $\frac{3}{8}$  outlet
- fig. 5, 55

**Model 8310.28**

	PU	Article	DG
	1	407 575	65



**Threaded bolt set**

- for concealed cistern 2H, concealed cistern 2L, concealed cistern 2C, concealed cistern Standard 2S
- plastic
- fig. 22

**Model 8250.1**

QS	L	M	PU	Article	DG
2	110	6	1	605 575	65

QS = Quantity per set



**Actuating rod set**

- plastic
- fig. 20

**Model 8310.31**

M	L	QS	PU	Article	DG
8	130	2	1	407 605	65

QS = Quantity per set




**Protective cover**

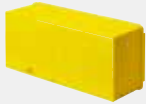
- for concealed cistern 1C, concealed cistern 2H, concealed cistern 2L, concealed cistern 2C, concealed cistern Standard 2S
- plastic

**Components**

threaded bolt set

**Model 8310.19**

Version	PU	Article	DG
grey	1	<b>610 869</b>	65


**Inspection frame**

- for concealed cistern 1H, concealed cistern 1L, concealed cistern 1C, concealed cistern 2H, concealed cistern 2L, concealed cistern 2C, concealed cistern Standard 1S, concealed cistern Standard 2S
- plastic

**Model 8310.35**

B	H	Version	PU	Article	DG
243	113	yellow	1	<b>407 650</b>	65

B = width


**Spacer**

- for concealed cistern 2H
- plastic
- fig. 61

**Model 8000.21**

PU	Article	DG
1	<b>650 025</b>	65


**Flushing pipe elbow**

- for concealed cistern 2H, concealed cistern 2C, concealed cistern Standard 2S
- plastic
- fig. 3, 41

**Model 8310.23**

L	PU	Article	DG
285	1	<b>610 876</b>	65


**Protective plug**

- for flushing pipe elbow
- plastic

**Model 8310.39**

PU	Article	DG
1	<b>407 704</b>	65


**Protective plug**

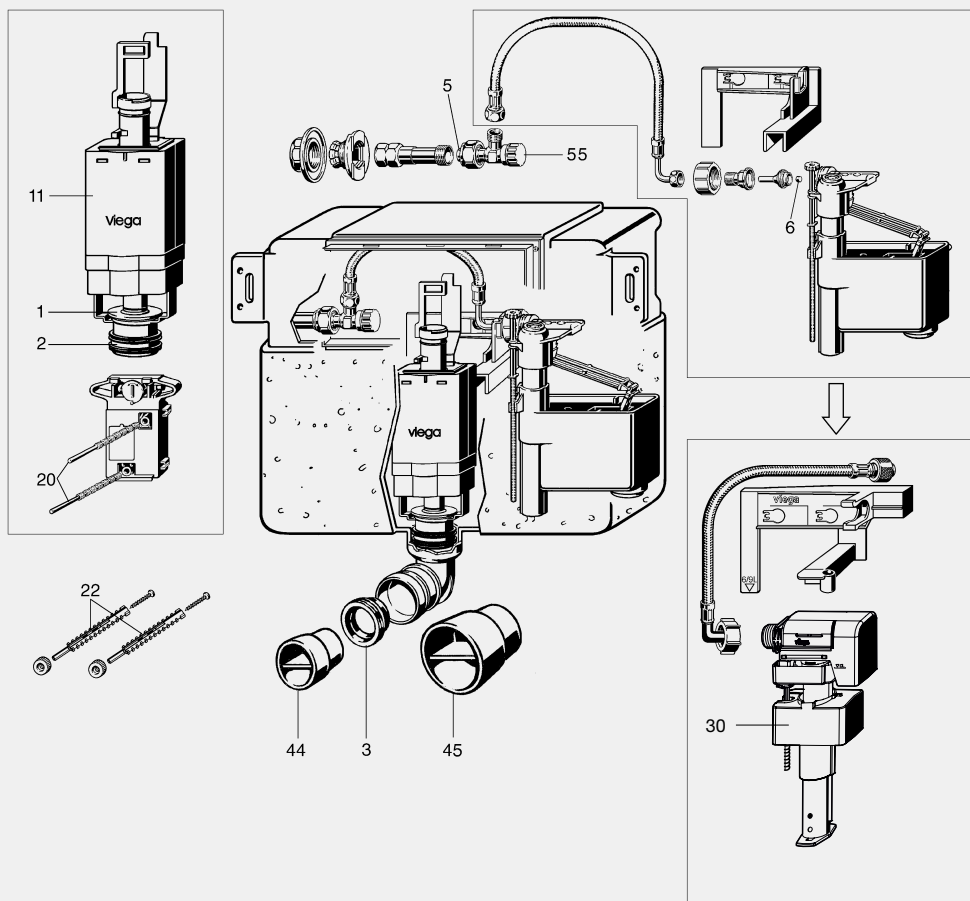
- for waste elbow DN90
- plastic
- fig. 45

**Model 8010.23**

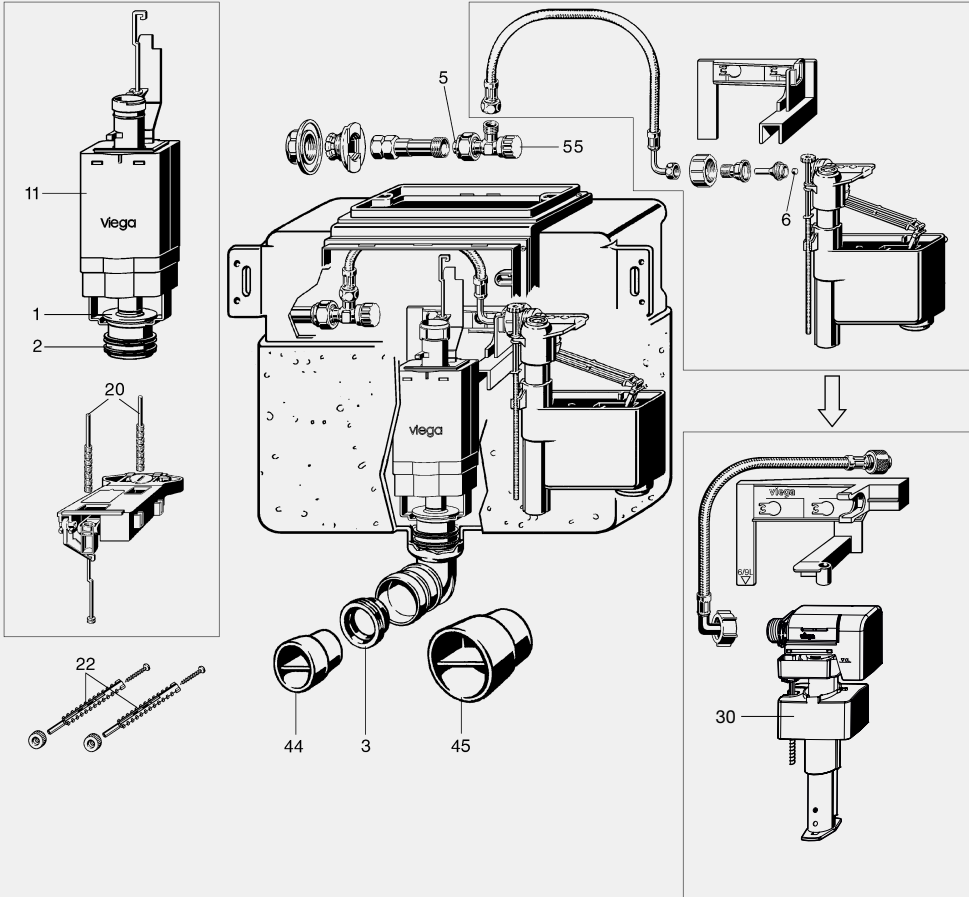
DN	PU	Article	DG
90	1	<b>308 377</b>	65

## CONCEALED CISTERNS 2L, FLUSH ACTUATION FROM FRONT OR TOP

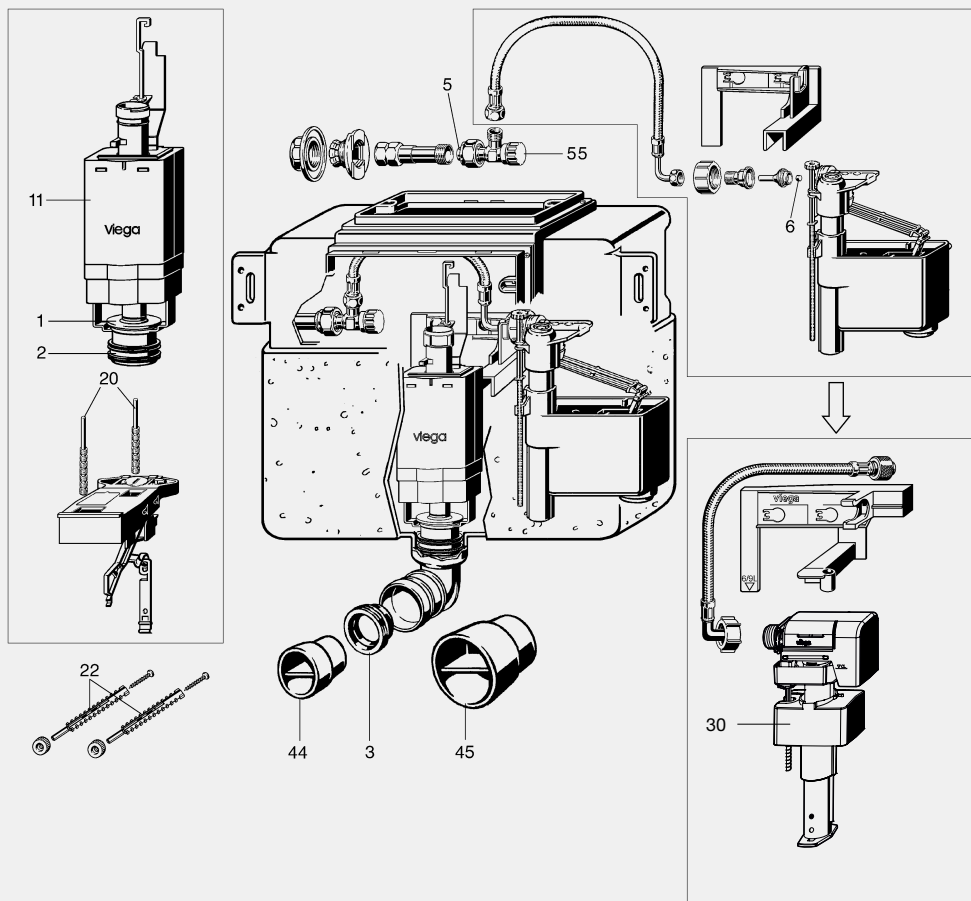
Concealed cistern 2L for Visign flush plates, low construction height version, actuation from front, from series 2007–2014, fitted in:  
 Viegaswift models 8038.2 and 8038.3  
 Steptec models 8438.2 and 8438.3  
 Viega Eco Plus model 8138.2  
 Viega Mono model 8338.2



Concealed cistern 2L for Visign flush plates, low construction height version, actuation from top, from series 2007 until 2014, fitted in:  
 Viegaswift models 8037.2 and 8037.3  
 Steptec models 8437.2 and 8437.3  
 Viega Eco Plus model 8137.2  
 Viega Mono model 8337.2



Concealed cistern 2L for Visign flush plates, low construction height version, actuation from front or top, from series 2014, fitted in:  
 Steptec models 8430.3 and 8430.18  
 Viega Eco Plus models 8130.2, 8130.45, 8130.18 und 8130.95  
 Viega Mono model 8330.2



**Drain valve set**

- for concealed cistern 1L, concealed cistern 2L, conversion to flush plate Visign for Style or Visign for More
- plastic
- low CH, flush actuation from front or top, dual flush technology

**Components**

drain valve set, drain valve seat, actuation mechanism, actuating rod set, threaded bolt set, bow  
 - fig. 1, 2, 11, 20, 22, 23

**Model 8038.0**

PU	Article	DG
1	611 231	65


**Filling valve set**

- for concealed cistern 1H, concealed cistern 1L, concealed cistern 2L, concealed cistern Standard 1S
- plastic

**Components**

- filling valve, flexible hose, filling valve holder
- fig. 30

**Model 8310.74**

	PU	Article	DG
	1	759 254	65


**Gasket set**

- rubber

**Components**

- O-ring set for drain sockets of concealed cisterns 1H, 2H, 1C, 2C, 1S and 2S, O-ring for corner valve, one gasket each for drain valve, drain valve seat, filling valve and flushing pipe elbow
- fig. 1, 2, 3, 4, 5, 6

**Model 8310.20**

	PU	Article	DG
	1	405 557	65


**Corner valve**

- for concealed cistern 1H, concealed cistern 1L, concealed cistern 1C, concealed cistern 2H, concealed cistern 2L, concealed cistern 2C, concealed cistern Standard 1S, concealed cistern Standard 2S

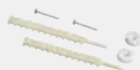
- brass
- G-thread

**Components**

- easy mountable plug-in screw fitting with union nut G $\frac{1}{2}$ , G $\frac{3}{4}$  outlet
- fig. 5, 55

**Model 8310.28**

	PU	Article	DG
	1	407 575	65


**Threaded bolt set**

- for concealed cistern 2H, concealed cistern 2L, concealed cistern 2C, concealed cistern Standard 2S

- plastic
- fig. 22

**Model 8250.1**

QS	L	M	PU	Article	DG
2	110	6	1	605 575	65

QS = Quantity per set


**Actuating rod set**

- plastic
- fig. 20

**Model 8310.31**

M	L	QS	PU	Article	DG
8	130	2	1	407 605	65

QS = Quantity per set



**Protective cover**

- for concealed cistern 1C, concealed cistern 2H, concealed cistern 2L, concealed cistern 2C, concealed cistern Standard 2S
- plastic

**Components**

threaded bolt set

**Model 8310.19**

Version	PU	Article	DG
grey	1	<b>610 869</b>	65



**Inspection frame**

- for concealed cistern 1H, concealed cistern 1L, concealed cistern 1C, concealed cistern 2H, concealed cistern 2L, concealed cistern 2C, concealed cistern Standard 1S, concealed cistern Standard 2S
- plastic

**Model 8310.35**

B	H	Version	PU	Article	DG
243	113	yellow	1	<b>407 650</b>	65

B = width



**Protective cover**

- for concealed cistern 2L (from series 2014 onwards)
- plastic

**Model 8310.89**

PU	Article	DG
1	<b>719 043</b>	65



**Protective plug**

- for flushing pipe elbow
- plastic

**Model 8310.39**

PU	Article	DG
1	<b>407 704</b>	65



**Protective plug**

- for waste elbow DN90
- plastic
- fig. 45

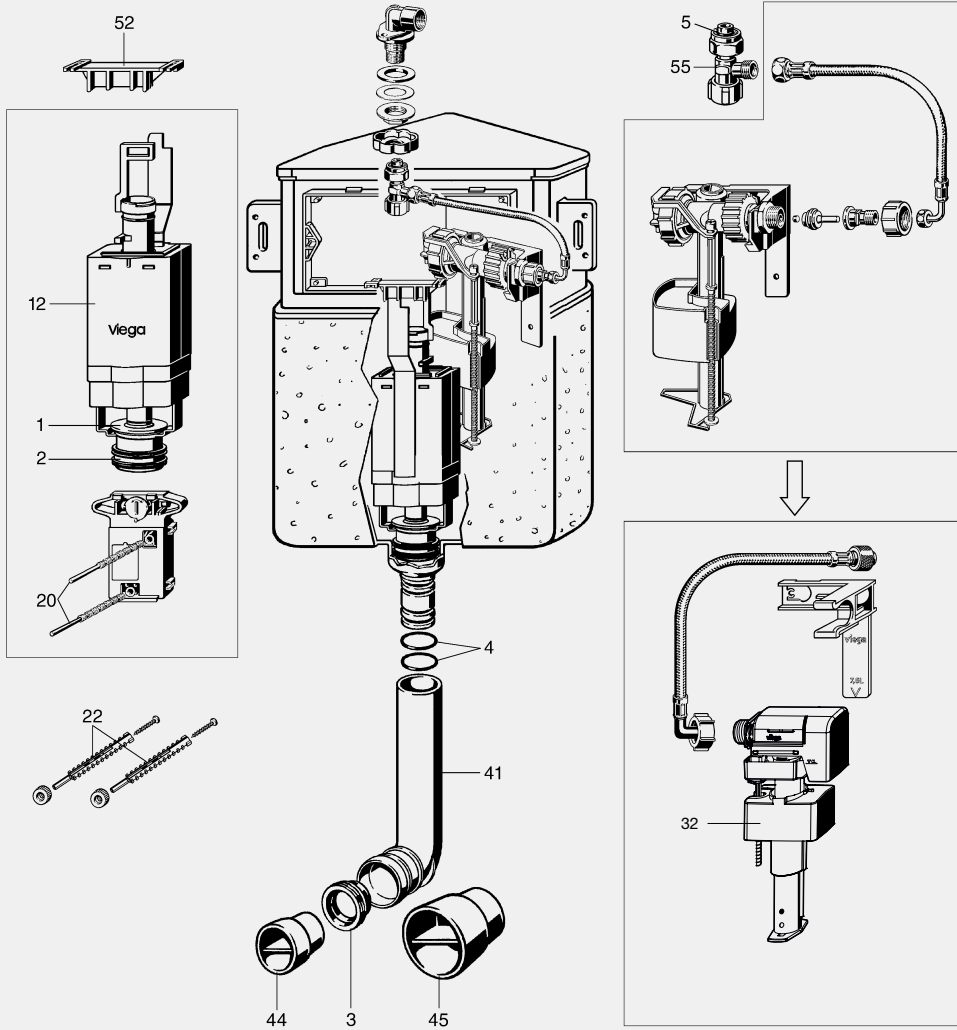
**Model 8010.23**

DN	PU	Article	DG
90	1	<b>308 377</b>	65



**CONCEALED CORNER CISTERNS 2C, FLUSH ACTUATION FROM FRONT**

Concealed corner cistern 2C for Visign flush plates, from series 2007, fitted in:  
Viega Eco Plus model 8141.2


**Spare part set**

- for concealed cistern 1C, concealed cistern 2C, conversion to flush plate Visign for Style or Visign for More
- plastic
- flush actuation from front, dual flush technology

**Components**

drain valve set, drain valve seat, actuation mechanism, actuating rod set, threaded bolt set, bow, filling valve

- fig. 1, 2, 12, 20, 22, 23, 32

**Model 8141.0**

PU	Article	DG
1	611 255	65



**Filling valve set**

- for concealed cistern 1C, concealed cistern 2C
- plastic

**Components**

- filling valve, flexible hose, filling valve holder
- fig. 32

**Model 8310.72**

	PU	Article	DG
	1	717 742	65



**Gasket set**

- rubber

**Components**

- O-ring set for drain sockets of concealed cisterns 1H, 2H, 1C, 2C, 1S and 2S, O-ring for corner valve, one gasket each for drain valve, drain valve seat, filling valve and flushing pipe elbow
- fig. 1, 2, 3, 4, 5, 6

**Model 8310.20**

	PU	Article	DG
	1	405 557	65



**Corner valve**

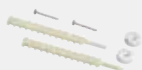
- for concealed cistern 1H, concealed cistern 1L, concealed cistern 1C, concealed cistern 2H, concealed cistern 2L, concealed cistern 2C, concealed cistern Standard 1S, concealed cistern Standard 2S
- brass
- G-thread

**Components**

- easy mountable plug-in screw fitting with union nut G%, G% outlet
- fig. 5, 55

**Model 8310.28**

	PU	Article	DG
	1	407 575	65



**Threaded bolt set**

- for concealed cistern 2H, concealed cistern 2L, concealed cistern 2C, concealed cistern Standard 2S
- plastic
- fig. 22

**Model 8250.1**

QS	L	M	PU	Article	DG
2	110	6	1	605 575	65

QS = Quantity per set



**Actuating rod set**

- plastic
- fig. 20

**Model 8310.31**

M	L	QS	PU	Article	DG
8	130	2	1	407 605	65

QS = Quantity per set


**Protective cover**

- for concealed cistern 1C, concealed cistern 2H, concealed cistern 2L, concealed cistern 2C, concealed cistern Standard 2S
- plastic

**Components**

threaded bolt set

**Model 8310.19**

Version	PU	Article	DG
grey	1	<b>610 869</b>	65


**Inspection frame**

- for concealed cistern 1H, concealed cistern 1L, concealed cistern 1C, concealed cistern 2H, concealed cistern 2L, concealed cistern 2C, concealed cistern Standard 1S, concealed cistern Standard 2S
- plastic

**Model 8310.35**

B	H	Version	PU	Article	DG
243	113	yellow	1	<b>407 650</b>	65

B = width


**Restrainer**

- for concealed cistern 1C, concealed cistern 2C

- plastic

- fig. 52

**Model 8141.23**

PU	Article	DG
1	<b>573 188</b>	65


**Flushing pipe elbow**

- for concealed cistern 2H, concealed cistern 2C, concealed cistern Standard 2S

- plastic

- fig. 3, 41

**Model 8310.23**

L	PU	Article	DG
285	1	<b>610 876</b>	65


**Protective plug**

- for flushing pipe elbow

- plastic

**Model 8310.39**

PU	Article	DG
1	<b>407 704</b>	65


**Protective plug**

- for waste elbow DN90

- plastic

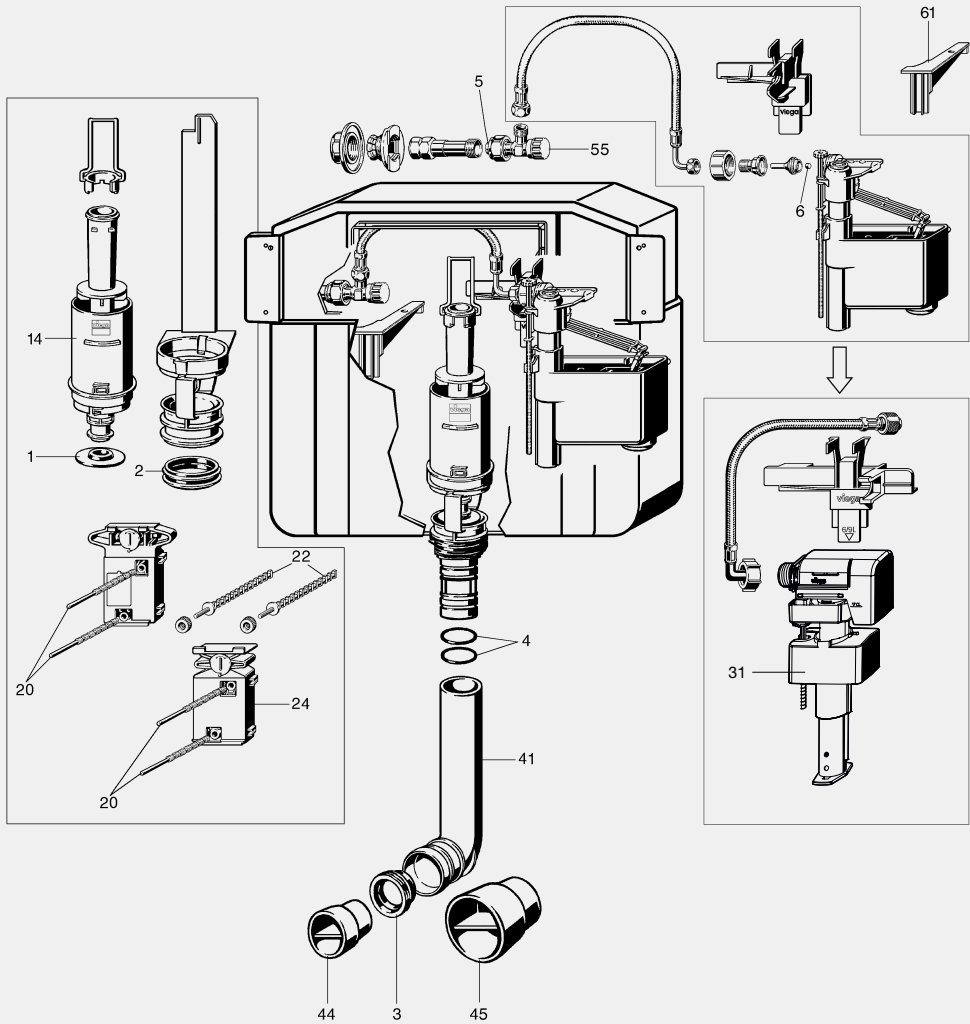
- fig. 45

**Model 8010.23**

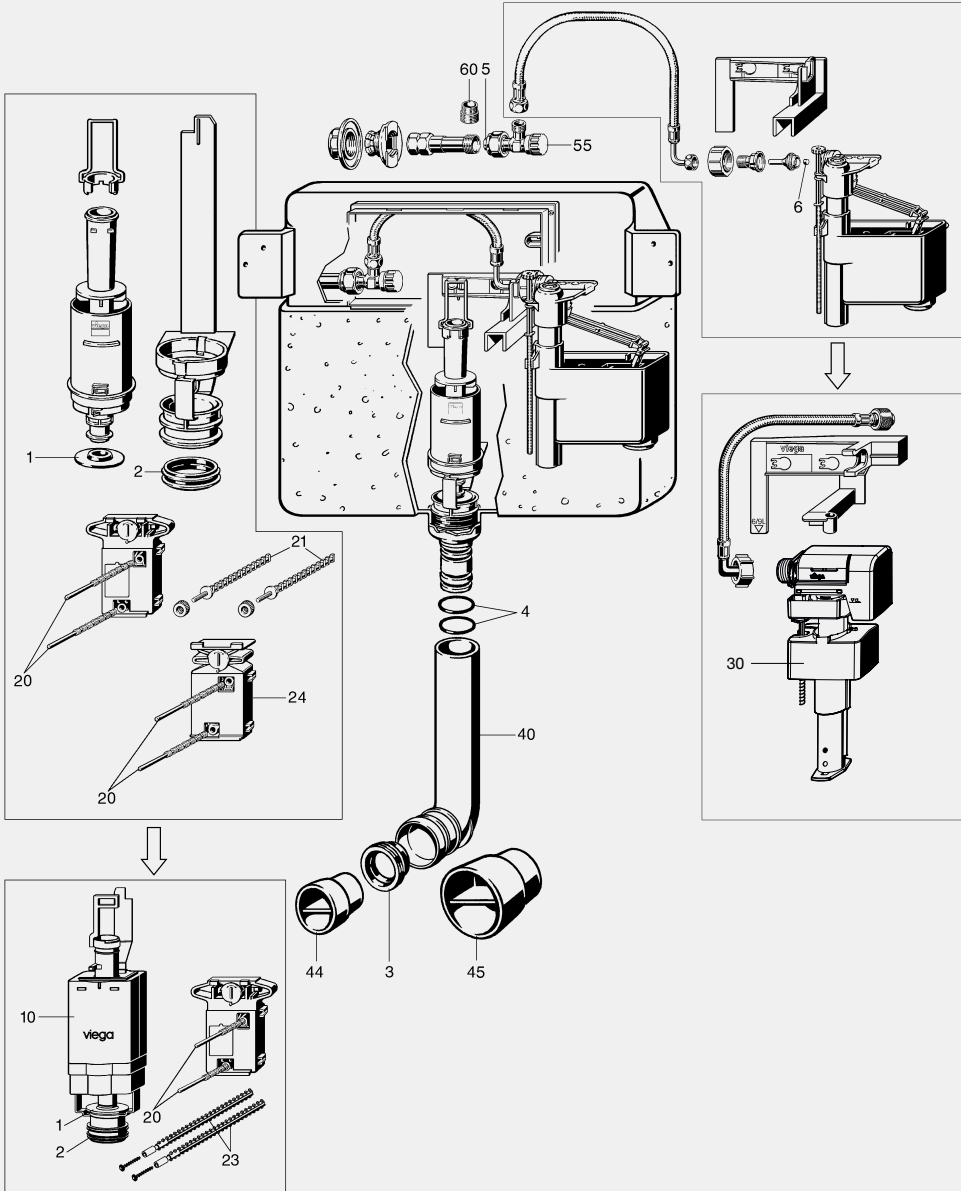
DN	PU	Article	DG
90	1	<b>308 377</b>	65

CONCEALED CISTERNS STANDARD 1S AND 2S, FLUSH ACTUATION FROM FRONT

Concealed cistern Standard 2S for Standard flush plates, actuation from front, from series 2007, fitted in: Viega Eco models 8180.25 and 8180.26



Concealed cistern Standard 1S for Standard flush plates flush-stop function, from series 1999–2007, fitted in:  
Viega Eco models 8180.5 and 8180.6





**Drain valve set**

- for concealed cistern 1H, concealed cistern 2H, conversion to flush plate Visign for Style or Visign for More
- plastic
- flush actuation from front, dual flush technology

**Components**

drain valve set, drain valve seat, actuation mechanism, actuating rod set, threaded bolt set, bow  
 - fig. 1, 2, 10, 20, 22, 23

**Model 8310.0**

	PU	Article	DG
	1	611 224	65



**Filling valve set**

- for concealed cistern 1H, concealed cistern 1L, concealed cistern 2L, concealed cistern Standard 1S
- plastic

**Components**

filling valve, flexible hose, filling valve holder  
 - fig. 30

**Model 8310.74**

	PU	Article	DG
	1	759 254	65



**Filling valve set**

- for concealed cistern 2H, concealed cistern Standard 2S
- plastic

**Components**

filling valve, flexible hose, filling valve holder  
 - fig. 31

**Model 8310.75**

	PU	Article	DG
	1	718 152	65



**Gasket set**

- rubber

**Components**

O-ring set for drain sockets of concealed cisterns 1H, 2H, 1C, 2C, 1S and 2S, O-ring for corner valve, one gasket each for drain valve, drain valve seat, filling valve and flushing pipe elbow  
 - fig. 1, 2, 3, 4, 5, 6

**Model 8310.20**

	PU	Article	DG
	1	405 557	65


**Corner valve**

- for concealed cistern 1H, concealed cistern 1L, concealed cistern 1C, concealed cistern 2H, concealed cistern 2L, concealed cistern 2C, concealed cistern Standard 1S, concealed cistern Standard 2S

- brass
- G-thread

**Components**

easy mountable plug-in screw fitting with union nut G%, G% outlet

- fig. 5, 55

**Model 8310.28**

	PU	Article	DG
	1	407 575	65


**Threaded bolt set**

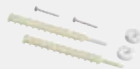
- for concealed cistern 1H, concealed cistern 1L, concealed cistern 1C, concealed cistern Standard 1S

- plastic
- fig. 21

**Model 8310.33**

QS	L	M	PU	Article	DG
2	120	6	1	407 636	65

QS = Quantity per set


**Threaded bolt set**

- for concealed cistern 2H, concealed cistern 2L, concealed cistern 2C, concealed cistern Standard 2S

- plastic
- fig. 22

**Model 8250.1**

QS	L	M	PU	Article	DG
2	110	6	1	605 575	65

QS = Quantity per set


**Actuating rod set**

- plastic
- fig. 20

**Model 8310.31**

M	L	QS	PU	Article	DG
8	130	2	1	407 605	65

QS = Quantity per set


**Protective cover**

- for concealed cistern 1H, concealed cistern 1L, concealed cistern Standard 1S

- plastic

**Model 8310.46**

Version	PU	Article	DG
yellow	1	462 192	65


**Protective cover**

- for concealed cistern 1C, concealed cistern 2H, concealed cistern 2L, concealed cistern 2C, concealed cistern Standard 2S

- plastic

**Components**

threaded bolt set

**Model 8310.19**

Version	PU	Article	DG
grey	1	610 869	65



**Inspection frame**

- for concealed cistern 1H, concealed cistern 1L, concealed cistern 1C, concealed cistern 2H, concealed cistern 2L, concealed cistern 2C, concealed cistern Standard 1S, concealed cistern Standard 2S
  - plastic
- Model 8310.35**

B	H	Version	PU	Article	DG
243	113	yellow	1	<b>407 650</b>	65

B = width



**Spacer**

- for concealed cistern 2H
  - plastic
  - fig. 61
- Model 8000.21**

PU	Article	DG
1	<b>650 025</b>	65



**Flushing pipe elbow**

- for concealed cistern 1H, concealed cistern 1C, concealed cistern Standard 1S
  - plastic
  - fig. 3, 40
- Model 8310.37**

L	PU	Article	DG
285	1	<b>407 681</b>	65



**Flushing pipe elbow**

- for concealed cistern 2H, concealed cistern 2C, concealed cistern Standard 2S
  - plastic
  - fig. 3, 41
- Model 8310.23**

L	PU	Article	DG
285	1	<b>610 876</b>	65



**Protective plug**

- for flushing pipe elbow
  - plastic
- Model 8310.39**

PU	Article	DG
1	<b>407 704</b>	65

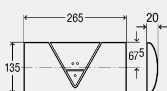
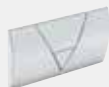


**Protective plug**

- for waste elbow DN90
  - plastic
  - fig. 45
- Model 8010.23**

DN	PU	Article	DG
90	1	<b>308 377</b>	65

**VIEGA FLUSH PLATES**



**Flush plate**

**Visign for Life 1**

- for concealed cistern 2H, concealed cistern 2L, concealed cistern 2C, concealed cistern Standard 2S
- plastic
- manual flush actuation from front or top, dual flush technology or flush stop technology (only when using model 8180.25)

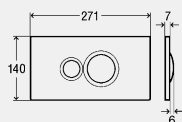
**Components**

fixing frame, fixing material

**Model 8310.3**

cover plate	actuator	PU	Article	DG
white alpine plastic	white alpine plastic	1	<b>721 886</b>	65
chrome-plated plastic	chrome-plated plastic	1	<b>721 893</b>	65




**Flush plate**
**Visign for Style 10**

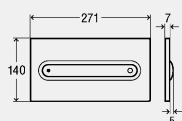
- for concealed cistern 2H, concealed cistern 2L, concealed cistern 2C, concealed cistern Standard 2S (model 8180.26)
- for concealed cistern 2H, concealed cistern 2L, concealed cistern 2C, concealed cistern Standard 2S (model 8180.26), concealed cistern 1F (8 cm)
- plastic
- manual flush actuation from front or top, dual flush technology

**Components**

fixing frame, fixing material

**Model 8315.1**

cover plate	actuator	PU	Article	DG
white alpine plastic	white alpine plastic	1	<b>596 316</b>	65
chrome-plated plastic	chrome-plated plastic	1	<b>596 323</b>	65
plastic pergamon	plastic pergamon	1	<b>596 330</b>	65
chrome matt plastic	chrome matt plastic	1	<b>596 347</b>	65
stainless steel coloured brushed plastic	stainless steel coloured brushed plastic	1	<b>597 054</b>	65
black polished plastic	black polished plastic	1	<b>686 543</b>	65
black matt plastic	black matt plastic	1	<b>786 977</b>	65


**Flush plate**
**Visign for Style 11**

- for concealed cistern 2H, concealed cistern 2L, concealed cistern 2C, concealed cistern 1F (8 cm)
- plastic
- manual flush actuation from front or top, dual flush technology

**Components**

bowden cable unit, fixing frame, fixing material

**Model 8331.1**

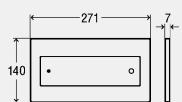
 DESIGNPREIS  
2008  
NOMINIERT

 PRODUCT  
DESIGN  
AWARD  
2007

 REDDOT  
DESIGN  
AWARD  
WINNER 2007

**DESIGN PLUS**

cover plate	actuator	PU	Article	DG
white alpine plastic	white alpine plastic	1	<b>597 108</b>	65
chrome-plated plastic	chrome-plated plastic	1	<b>597 115</b>	65
chrome matt plastic	chrome matt plastic	1	<b>597 139</b>	65


**Flush plate**
**Visign for Style 12**

- for concealed cistern 2H, concealed cistern 2L, concealed cistern 2C, concealed cistern 1F (8 cm)
- plastic, metal, glass
- flush actuation from front or top, dual flush technology

**Components**

bowden cable unit, fixing frame, fixing material

**Model 8332.1**

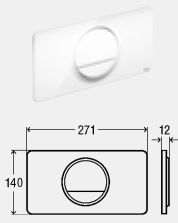
 DESIGNPREIS  
2008  
NOMINIERT

 PRODUCT  
DESIGN  
AWARD  
2007

 REDDOT  
DESIGN  
AWARD  
WINNER 2007

**DESIGN PLUS**

cover plate	actuator	PU	Article	DG
white alpine plastic	white alpine plastic	1	<b>596 743</b>	65
chrome-plated plastic	chrome-plated plastic	1	<b>597 252</b>	65
chrome matt plastic	chrome matt plastic	1	<b>597 276</b>	65
stainless steel coloured brushed plastic	stainless steel coloured brushed plastic	1	<b>597 283</b>	65
brushed stainless steel	brushed stainless steel	1	<b>675 608</b>	65
clear/light grey glass	clear/light grey glass	1	<b>687 854</b>	65
clear/light grey glass	white alpine plastic	1	<b>690 595</b>	65
clear/light grey glass	chrome-plated plastic	1	<b>690 601</b>	65
parsol/black glass	parsol/black glass	1	<b>687 861</b>	65
parsol/black glass	white alpine plastic	1	<b>690 625</b>	65
parsol/black glass	chrome-plated plastic	1	<b>690 632</b>	65



**Flush plate**

**Visign for Style 13**

- for concealed cistern 2H, concealed cistern 2L, concealed cistern 2C, concealed cistern Standard 2S (model 8180.26)
- plastic
- manual flush actuation from front or top, dual flush technology

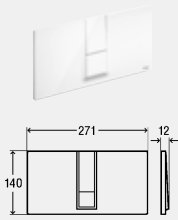
**Components**

fixing frame, fixing material

**Model 8333.1**



cover plate	actuator	PU	Article	DG
white alpine plastic	white alpine plastic	1	<b>654 498</b>	65
chrome-plated plastic	chrome-plated plastic	1	<b>654 504</b>	65
chrome matt plastic	chrome matt plastic	1	<b>654 528</b>	65



**Flush plate**

**Visign for Style 14**

- for concealed cistern 2H, concealed cistern 2L, concealed cistern 2C, concealed cistern Standard 2S (model 8180.26)
- plastic
- manual flush actuation from front or top, dual flush technology

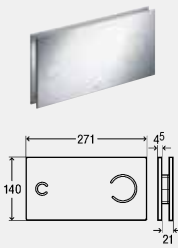
**Components**

fixing frame, fixing material

**Model 8334.1**



cover plate	actuator	PU	Article	DG
white alpine plastic	white alpine plastic	1	<b>654 689</b>	65
chrome-plated plastic	chrome-plated plastic	1	<b>654 696</b>	65
chrome matt plastic	chrome matt plastic	1	<b>654 719</b>	65
stainless steel coloured brushed plastic	stainless steel coloured brushed plastic	1	<b>654 726</b>	65



**Flush plate**

**Visign for More 100**

- metal, glass
- manual flush actuation from front or top, dual flush technology

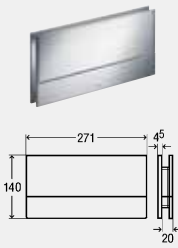
**Components**

bowden cable unit, fixing frame, fixing material

**Model 8352.1**



cover plate	actuator	PU	Article	DG
chrome-plated aluminium	chrome-plated aluminium	1	<b>597 436</b>	65
chrome matt aluminium	chrome matt aluminium	1	<b>597 443</b>	65
chrome-plated aluminium	clear/light grey glass	1	<b>597 481</b>	65
chrome-plated aluminium	parsol/black glass	1	<b>597 498</b>	65



**Flush plate**

**Visign for More 101**

- for concealed cistern 2H, concealed cistern 2L, concealed cistern 2C
- metal, glass
- manual flush actuation from front or top, dual flush technology

**Components**

bowden cable unit, fixing frame, fixing material

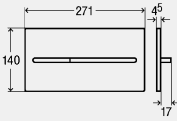
**Note**

When used in combination with concealed cistern 1F, at least 50 mm of plaster must be applied to the front side of the WC cistern!

**Model 8351.1**



cover plate	actuator	PU	Article	DG
chrome-plated aluminium	chrome-plated aluminium	1	<b>597 368</b>	65
chrome matt aluminium	chrome matt aluminium	1	<b>597 375</b>	65
stainless steel coloured aluminium	stainless steel coloured aluminium	1	<b>597 382</b>	65
chrome-plated aluminium	clear/light grey glass	1	<b>597 412</b>	65
chrome-plated aluminium	parsol/black glass	1	<b>597 429</b>	65


**Flush plate**
**Visign for More 104**

- for concealed cistern 2H, concealed cistern 2L, concealed cistern 2C, concealed cistern 1F (8 cm)
- metal
- manual flush actuation from front or top, dual flush technology

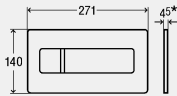
**Components**

bowden cable unit, fixing frame, fixing material

**Model 8354.1**

**DESIGN PLUS**

cover plate	actuator	PU	Article	DG
chrome-plated aluminium	chrome-plated aluminium	1	<b>598 457</b>	65


**Flush plate**
**Visign for More 105**

- for concealed cistern 2H, concealed cistern 2L, concealed cistern 2C, concealed cistern 1F (8 cm)
- metal, glass
- manual flush actuation from front or top, dual flush technology

**Components**

bowden cable unit, fixing frame, fixing material

**Note**

\* construction depth flush plates made of glass = 8 mm

**Model 8357.1**

**DESIGN PLUS**  
powered by iSH


cover plate	actuator	PU	Article	DG
chrome-plated aluminium	chrome-plated aluminium	1	<b>758 844</b>	65
white/traffic white glass	white/traffic white glass	1	<b>758 820</b>	65
parsol/black glass	parsol/black glass	1	<b>758 837</b>	65

**SPARE PARTS FOR VIEGA FLUSH PLATES**

**Base frame**
**Visign for Life 1, 2, 3 and 4**

- plastic

**Model 8310.34**

	PU	Article	DG
	1	<b>407 643</b>	65


**Base frame**

- plastic

- fig. 27

**Model 8180.16**

	PU	Article	DG
	1	<b>462 215</b>	65


**Support**

- plastic

**Model 8310.47**

	PU	Article	DG
	1	<b>462 208</b>	65


**Base frame**
**Visign for Style 10**

- plastic

**Model 8325.7**

	PU	Article	DG
	1	<b>610 821</b>	65



**Installation frame**

**Visign for Style**

- for tile-level installation of the WC flush plate
- plastic
- tile-level installation frame

**Note**

Tile-level installation frame can only be used in the Viega pre-wall systems for dry construction (Viegaswift, Steptec and Viega Eco Plus)!

**Model 8330.21**

Version	PU	Article	DG
chrome-plated	1	<b>643 072</b>	75



**Support**

- plastic

**Model 8310.14**

	PU	Article	DG
	1	<b>610 814</b>	65



**Base frame**

**Visign for More 100, 102, 103, 104, Visign for Style 11, 12**

- spare part for flush plate Visign for Style 11 model 8331.1, flush plate Visign for Style 12 model 8332.1
- plastic

**Model 8352.7**

	PU	Article	DG
	1	<b>610 845</b>	65



**Base frame**

**Visign for More 101**

- plastic

**Model 8351.7**

	PU	Article	DG
	1	<b>610 852*</b>	65

\* = Discontinued, limited availability



**Installation frame**

**Visign for More**

- for tile-level installation of the WC flush plate
- plastic

**Note**

Tile-level installation frame can only be used in the Viega pre-wall systems for dry construction (Viegaswift, Steptec and Viega Eco Plus)!

**Model 8350.23**

Version	PU	Article	DG
chrome-plated	1	<b>643 096</b>	75



**Functional unit**

- for tile-level installation of the WC flush plate, natural stone panel delivered on-site
- plastic
- manual flush actuation from front or top, dual flush technology

**Components**

bowden cable unit, tile-level installation frame, fixing frame, fixing material

**Model 8332.3**

	PU	Article	DG
	1	<b>645 182</b>	65


**Bowden cable unit**

- plastic
- flush actuation from front or top, dual flush technology

**Model 8310.82**

L	PU	Article	DG
300	1	<b>604 134</b>	65


**Bowden cable unit**

- plastic
- flush actuation from front or top, dual flush technology

**Model 8310.84**

L	PU	Article	DG
300	1	<b>669 584</b>	65


**Actuating rod set**

- plastic
- fig. 20

**Model 8310.31**

M	L	QS	PU	Article	DG
8	130	2	1	<b>407 605</b>	65

QS = Quantity per set


**Threaded bolt set**

- for concealed cistern 2H, concealed cistern 2L, concealed cistern 2C, concealed cistern Standard 2S
- plastic
- fig. 22

**Model 8250.1**

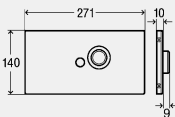
QS	L	M	PU	Article	DG
2	110	6	1	<b>605 575</b>	65

QS = Quantity per set

**VISIGN FOR PUBLIC**

**Cover plate**
**Visign for Public 5**

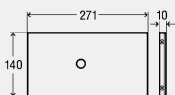
- metal
- single flush technology, touchless infrared flush actuation from front

**Model 8326.3**


cover plate	actuator	PU	Article	DG
brushed stainless steel	polished stainless steel	1	<b>699 420</b>	65
stainless steel white alpine	stainless steel white alpine	1	<b>699 437</b>	65

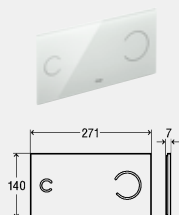

**Cover plate**
**Visign for Public 6**

- metal
- dual flush technology, touchless infrared flush actuation from front

**Model 8326.4**


cover plate	PU	Article	DG
brushed stainless steel	1	<b>699 444</b>	65
stainless steel white alpine	1	<b>699 659</b>	65

## VISIGN FOR MORE SENSITIVE



### Flush plate sensitive Visign for More 100

- for concealed cistern 2H, concealed cistern 2L, concealed cistern 2C, concealed cistern 1F (8 cm)
- glass
- touchless flush actuation from front or top, dual flush technology, with Viega Hygiene function

#### Components

bowden cable unit, mains adapter (cable length 1.05 m), fixing frame, fixing material

#### Technical data

partial flush volume factory setting approx. 3 l

full flush volume factory setting approx. 6 l

power supply voltage 100–240 V AC/50–60 Hz

#### Note

Note regarding Viega Hygiene function: to support the intended operation via time and volume controlled electronics. Programmable time intervals: off, 1 h, 12 h, 24 h, 72 h, 168 h. Programmable flush volumes: 3 l, 4 l, 5 l, 6 l, 7 l, 9 l.

For the reception of a flush actuation via radio signal with e.g. HEWI support arm (802.50.01..., 802.50.060 L/R, 801.50..., 801.50.060) a radio receiver model 8350.35 has to be ordered.

#### Model 8352.11

cover plate	PU	Article	DG
clear/light grey glass	1	<b>622 671</b>	65
parsol/black glass	1	<b>615 895</b>	65



### Cover plate Visign for More 100 sensitive

- glass
- touchless flush actuation from front or top, dual flush technology

#### Components

control

#### Model 8352.3

cover plate	PU	Article	DG
clear/light grey glass	1	<b>632 861</b>	65
parsol/black glass	1	<b>632 878</b>	65



### Mains adapter

- spare part for WC flush actuation model 8350.34

#### Technical data

power supply voltage 100–240 V AC/50–60 Hz

#### Model 8350.11

L	PU	Article	DG
1100	1	<b>633 332</b>	65



### Battery compartment

- suitable for WC flush actuation model 8350.34
- plastic

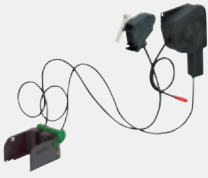
#### Components

4 Mignon AA batteries

#### Model 8350.13

V [V]	PU	Article	DG
6	1	<b>633 318</b>	65

V = Voltage (V)



**Bowden cable unit**  
 - plastic  
 - dual flush technology, flush actuation from front or top  
**Model 8350.15**

L	PU	Article	DG
300	1	<b>633 349</b>	65



**Magnetic pin**  
 - plastic  
**Model 8350.25**

	PU	Article	DG
	1	<b>663 841</b>	65



**Suction foot set**  
 - for disassembly of the glass flush plate  
 - plastic  
**Model 8350.125**

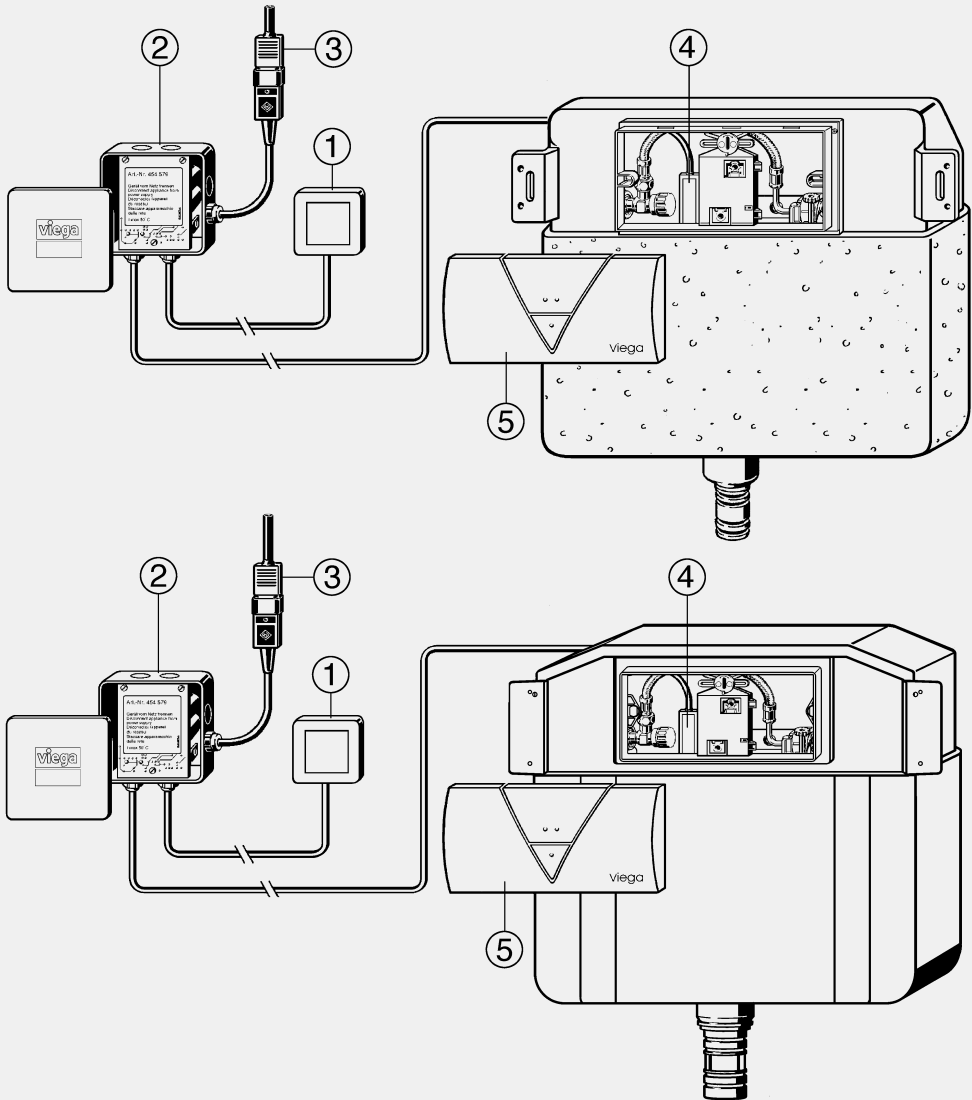
QS	PU	Article	DG
2	1	<b>676 773</b>	65

QS = Quantity per set

**ELECTRONIC FLUSH ACTUATIONS  
CONCEALED CISTERNS 1H, 2H, STANDARD 1S AND STANDARD 2S**

Electrical release 230 V-button from series 2002, model 8320.1 and from series 10/2007, model 8320.3 for single release of concealed cistern Visign 1H, 2H and Standard 1S from series 1999–2007 and Standard 2S from series 07/2007

- 1) On-site button
- 2) Electronic panel
- 3) Electrical connection 230 V/50 Hz
- 4) Electrical lifter
- 5) Amendment of flush plates Visign for Life 1–4






**WC flush actuation**

- for concealed cistern 1H, concealed cistern 2H, combination with WC flush plates Visign for Public 1, Visign for Style 10, 13, 14 and Standard, flush actuation via on-site potential-free contact
- in addition optional available battery compartment model 8350.13, programming set model 8350.26
- suitable for radio receiver model 8350.35
- plastic
- electronic, dual flush technology

**Components**

control, mains adapter (cable length 1.05 m), bowden cable unit, connection cable, fixing material, conversion kit

**Technical data**

power supply voltage 100–240 V AC/50–60 Hz

**Note**

Note regarding Viega Hygiene function: to support the intended operation via time and volume controlled electronics. Programmable time intervals: off, 24 h, 72 h, 168 h. Programmable flush volumes: 3 l, 6 l, 9 l.

For the reception of a flush actuation via radio signal with e.g. HEWI support arm (802.50.01..., 802.50.060 L/R, 801.50..., 801.50.060) a radio receiver model 8350.35 has to be ordered.

Spare part for electrical flush actuation 230 V button from series 2002 model 8320.1 and series 10/2007 model 8320.3.

**Model 8350.34**

	PU	Article	DG
	1	<b>696 160</b>	65


**Radio receiver**

- for reception of a flush actuation via radio signal in combination with HEWI support arm 802.50.01... and HEWI upgrade kit WC flush actuation radio-controlled 802.50.060 L model left-hand, radio-controlled 802.50.060 R model right-hand or in combination with HEWI support arm 801.50... and HEWI upgrade kit WC flush actuation (radio-controlled) 801.05.060
- suitable for flush plate sensitive Visign for Style model 8315.11, flush plate sensitive Visign for More 100 model 8352.11
- plastic

**Model 8350.35**

Receiving frequency [MHz]	PU	Article	DG
868.4	1	<b>696 177</b>	65


**Battery compartment**

- suitable for WC flush actuation model 8350.34
- plastic

**Components**

4 Mignon AA batteries

**Model 8350.13**

V [V]	PU	Article	DG
6	1	<b>633 318</b>	65

V = Voltage (V)


**Control**

- plastic

**Model 8350.37**

	PU	Article	DG
	1	<b>696 191</b>	65


**Programming set**

- for modification of flush adjustments or activation of Viega Hygiene function
- equipped with magnetic pin model 8350.25
- suitable for WC flush actuation model 8350.34
- plastic

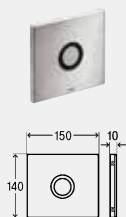
**Components**

mounting bracket

**Model 8350.26**

L	PU	Article	DG
500	1	<b>664 053</b>	65

## URINAL EQUIPMENT SETS



### Equipment set

#### Visign for Public

- for urinal flushing system
- metal
- touchless infrared flush actuation (230 V) from front

#### Components

cover plate, control electronics, electronic cartridge valve, mains adapter, fixing frame, fixing material

#### Technical data

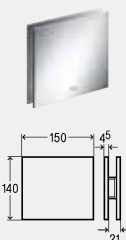
power supply voltage 230 V/50 Hz

#### Note

With Viega Hygiene function after 24 hours without use.

#### Model 8326.65

cover plate	PU	Article	DG
brushed stainless steel	1	<b>735 517</b>	65
stainless steel white alpine	1	<b>735 524</b>	65



### Equipment set

#### Visign for More 100

- for urinal flushing system
- metal, glass
- manual flush actuation from front or top

#### Components

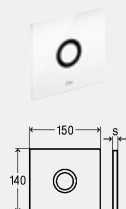
flush plate, fixing frame, fixing material, cartridge valve

#### Model 8351.2



DESIGN PLUS

cover plate	actuator	PU	Article	DG
chrome matt aluminium	chrome matt aluminium	1	<b>599 348</b>	65
stainless steel coloured aluminium	stainless steel coloured aluminium	1	<b>599 355</b>	65
chrome-plated aluminium	clear/light grey glass	1	<b>599 386</b>	65
chrome-plated aluminium	parsol/black glass	1	<b>599 393</b>	65



### Equipment set

#### Visign for More 100

- for urinal flushing system
- in addition optional available battery compartment model 8351.11
- metal, glass
- touchless infrared flush actuation (230 V) from front

#### Components

cover plate, control electronics, electronic cartridge valve, mains adapter, fixing frame, fixing material

#### Technical data

power supply voltage 230 V/50 Hz

#### Note

With Viega Hygiene function after 24 hours without use.

#### Model 8351.65

s	cover plate	PU	Article	DG
4.5	white alpine aluminium	1	<b>735 531</b>	65
4.5	chrome-plated aluminium	1	<b>735 548</b>	65
7	clear/light grey glass	1	<b>735 616</b>	65
7	parsol/black glass	1	<b>735 623</b>	65



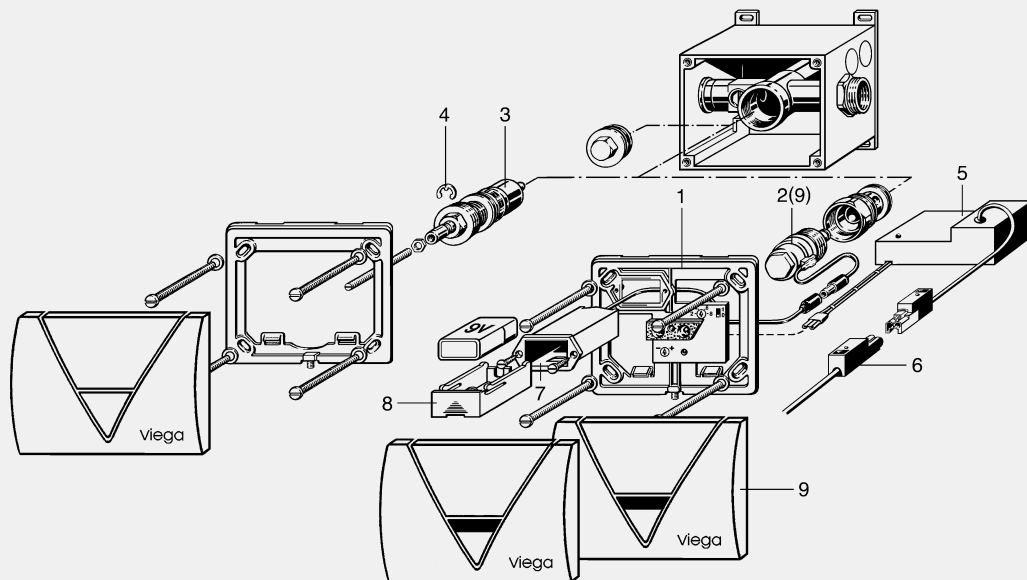
**URINAL FLUSHING SYSTEMS**  
**SERIES 2000 UNTIL 03/2011**

fitted in:

Viegaswift models 8128, 8128.33, 8127 and 8127.3

Viega Eco Plus models 8164.5, 8144 and 8145

Viega Mono model 8328


**Equipment set**
**Visign for Life 1**

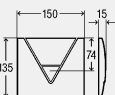
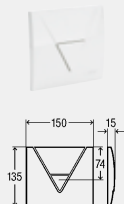
- for urinal flushing system
- plastic
- manual flush actuation from front or top

**Components**

flush plate, cartridge valve, fixing frame, fixing material

**Model 8128.7**

cover plate	actuator	PU	Article	DG
white alpine plastic	white alpine plastic	1	<b>721 909</b>	65
chrome-plated plastic	chrome-plated plastic	1	<b>721 916</b>	65


**Cartridge valve**

- manual flush actuation from front or top
- fig. 4, 3

**Model 8128.42**

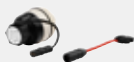

	PU	Article	DG
	1	<b>423 674</b>	65

**Cover plate**
**Visign for Life 1**

- metal
- fig. 9

**Model 8128.46**


cover plate	PU	Article	DG
white alpine brass	1	<b>495 145</b>	65
chrome-plated brass	1	<b>495 138</b>	65



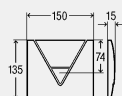
**Cartridge valve**  
 - for series until 03/2011  
 - plastic  
 - electronic, flush actuation from front  
 - fig. 2  
**Model 8128.41**

	PU	Article	DG
	1	<b>423 667</b>	65

**URINAL FLUSHING SYSTEMS  
 SERIES FROM 04/2011**



**Equipment set  
 Visign for Life 1**  
 - for urinal flushing system  
 - plastic  
 - manual flush actuation from front or top



**Components**  
 flush plate, cartridge valve, fixing frame, fixing material  
**Model 8128.7**

cover plate	actuator	PU	Article	DG
white alpine plastic	white alpine plastic	1	<b>721 909</b>	65
chrome-plated plastic	chrome-plated plastic	1	<b>721 916</b>	65



**Cartridge valve**  
 - manual flush actuation from front or top  
 - fig. 4, 3  
**Model 8128.42**

	PU	Article	DG
	1	<b>423 674</b>	65



**Cover plate  
 Visign for Life 1**  
 - metal  
 - fig. 9  
**Model 8128.46**

cover plate	PU	Article	DG
white alpine brass	1	<b>495 145</b>	65
chrome-plated brass	1	<b>495 138</b>	65



**Cartridge valve**  
 - for siphon sensor technology  
 - brass  
 - electronic  
 - fig. 9  
**Note**  
 Also suitable for equipment set Visign for Life 1 models 8128.2 and 8128.3 from series 04/2011 onwards.  
**Model 8350.115**

	PU	Article	DG
	1	<b>633 325</b>	65


**Battery compartment**

- for series from 04/2011
- plastic

**Components**

battery compartment, battery 9 V  
- fig. 7

**Note**

Also suitable for Visign for Life model 8128.03 from 04/2011 onwards.

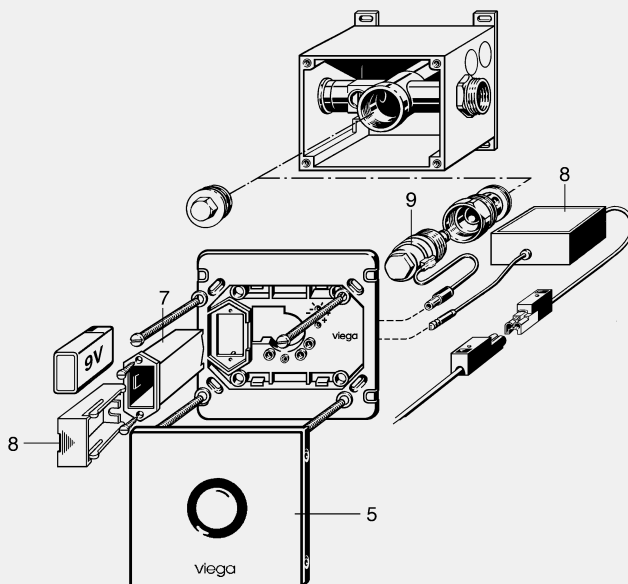
**Model 8350.113**

V [V]	PU	Article	DG
9	1	<b>633 295</b>	65

V = Voltage (V)

**URINAL FLUSHING SYSTEMS**  
**INFRARED FLUSH ACTUATION, VISIGN FOR PUBLIC**

from series 01/2011, fitted in:  
 Viegaswift models 8128, 8128.33, 8127 and 8127.3  
 Viega Eco Plus models 8164.5, 8144 and 8145  
 Viega Mono model 8328



**Cover plate**  
**Visign for Public**  
 - metal  
 - flush actuation from front  
 - fig. 5  
**Model 8326.8**

cover plate	PU	Article	DG
brushed stainless steel	1	<b>684 167</b>	65
stainless steel white alpine	1	<b>684 174</b>	65



**Battery compartment**  
 - for series from 04/2011  
 - plastic  
**Components**  
 battery compartment, battery 9 V  
 - fig. 7

**Note**  
 Also suitable for Visign for Life model 8128.03 from 04/2011 onwards.  
**Model 8350.113**

V [V]	PU	Article	DG
9	1	<b>633 295</b>	65

V = Voltage (V)


**Cartridge valve**

- for siphon sensor technology
- brass
- electronic
- fig. 9

**Note**

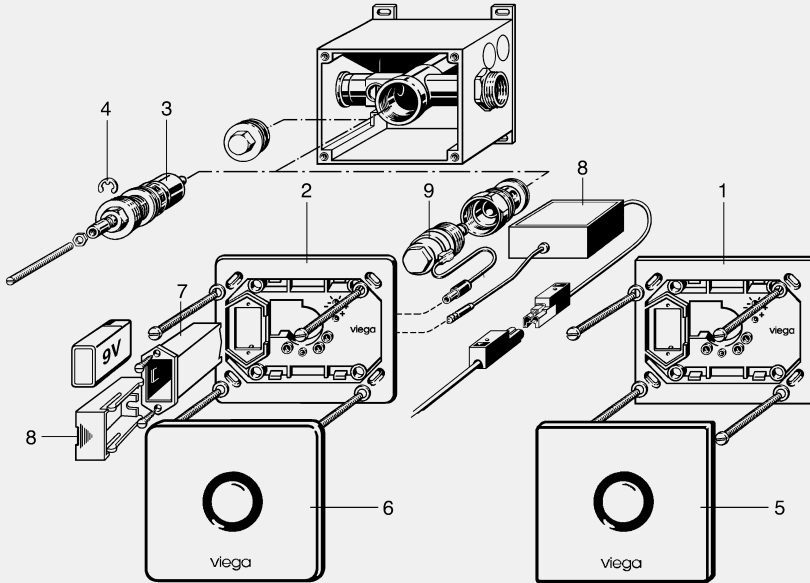
Also suitable for equipment set Visign for Life 1 models 8128.2 and 8128.3 from series 04/2011 onwards.

**Model 8350.115**

	PU	Article	DG
	1	<b>633 325</b>	65

URINAL FLUSHING SYSTEMS  
INFRARED FLUSH ACTUATION, SERIES UNTIL 2014, VISIGN FOR MORE

from series 08/2007 to 2014, fitted in:  
Viegaswift models 8128, 8128.33, 8127 and 8127.3  
Viega Eco Plus models 8164.5, 8144 and 8145  
Viega Mono model 8328



**Cover plate**  
**Visign for More 100**  
- metal, glass  
- fig. 5  
**Model 8351.8**

cover plate	PU	Article	DG
chrome-plated aluminium	1	<b>633 233</b>	65
chrome matt aluminium	1	<b>633 240</b>	65
stainless steel coloured aluminium	1	<b>633 356*</b>	65

\* = Discontinued, limited availability



**Cover plate**  
**Visign for More 103**  
- metal, glass  
- fig. 6  
**Model 8355.8**

cover plate	PU	Article	DG
chrome matt aluminium	1	<b>633 417</b>	65
stainless steel coloured aluminium	1	<b>633 424</b>	65




**Battery compartment**

- for series from 04/2011
- plastic

**Components**

battery compartment, battery 9 V  
- fig. 7

**Note**

Also suitable for Visign for Life model 8128.03 from 04/2011 onwards.

**Model 8350.113**

V [V]	PU	Article	DG
9	1	<b>633 295</b>	65

V = Voltage (V)


**Cartridge valve**

- for siphon sensor technology
- brass
- electronic
- fig. 9

**Note**

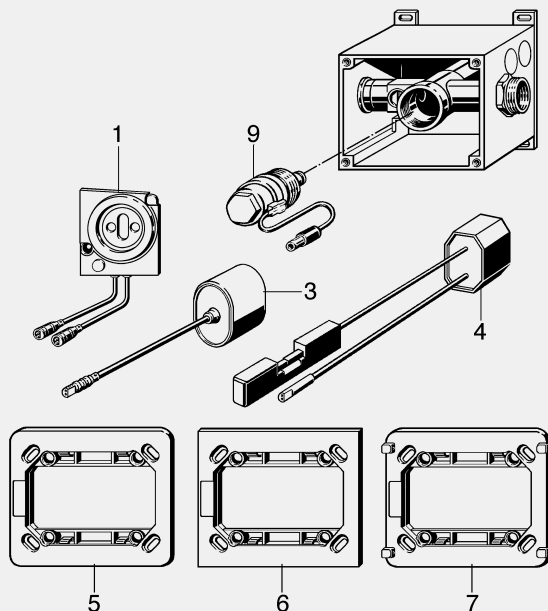
Also suitable for equipment set Visign for Life 1 models 8128.2 and 8128.3 from series 04/2011 onwards.

**Model 8350.115**

	PU	Article	DG
	1	<b>633 325</b>	65

URINAL FLUSHING SYSTEMS  
 INFRARED FLUSH ACTUATION, SERIES FROM 2015, VISIGN FOR MORE

from series 2015, fitted in:  
 Viegaswift models 8128, 8128.33, 8127 and 8127.3  
 Viega Eco Plus models 8164.5, 8144 and 8145  
 Viega Mono model 8328



**Cover plate**  
**Visign for More 100**  
 - metal, glass  
 - fig. 5  
**Model 8351.8**

cover plate	PU	Article	DG
clear/light grey glass	1	<b>633 370</b>	65
parsol/black glass	1	<b>633 387</b>	65



**Cover plate**  
**Visign for More 103**  
 - metal, glass  
 - fig. 6  
**Model 8355.8**

cover plate	PU	Article	DG
clear/light grey glass	1	<b>633 431</b>	65
parsol/black glass	1	<b>633 448</b>	65



**Base frame**  
**Visign for More 100**  
 - for infrared electronics 230 V/6 V, cover plate Visign for More 100 made of glass  
 - plastic  
 - fig. 6  
**Model 8350.126**

	PU	Article	DG
	1	<b>731 793</b>	65


**Base frame**
**Visign for More 103**

- for infrared electronics 230 V/6 V, cover plate Visign for More 100 made of metal, cover plate Visign for More 103 made of metal or glass
- plastic
- fig. 5

**Model 8350.127**

	PU	Article	DG
	1	731 809	65


**Base frame**
**Visign for Public**

- for infrared electronics 230 V/6 V, cover plate Visign for Public made of metal
- plastic
- fig. 7

**Model 8350.128**

	PU	Article	DG
	1	731 816	65


**Control**

- for series from 2015, infrared flush actuation
- suitable for base frame Visign for More 100 model 8350.126, base frame Visign for More 103 model 8350.127, base frame Visign for Public model 8350.128
- plastic
- flush actuation from front
- fig. 1

**Model 8351.10**

	PU	Article	DG
	1	731 779	65


**Mains adapter**

- for series from 2015
- spare part for equipment set Visign for Public model 8326.65, equipment set Visign for More 100 model 8351.65
- plastic
- fig. 4

**Model 8350.12**

	PU	Article	DG
	1	731 762	65


**Battery compartment**

- for series from 2015
- spare part for equipment set Visign for More 100 model 8351.65
- plastic
- fig. 3

**Model 8351.11**

	PU	Article	DG
	1	731 786	65


**Cartridge valve**

- for siphon sensor technology
- brass
- electronic
- fig. 9

**Note**

Also suitable for equipment set Visign for Life 1 models 8128.2 and 8128.3 from series 04/2011 onwards.

**Model 8350.115**

	PU	Article	DG
	1	633 325	65

URINAL FLUSHING SYSTEMS  
HF RADAR FLUSH ACTUATION, SERIES 09/2007 UNTIL 02/2009



**HF radar sensor**  
- for HF radar flushing system  
230 V/9 V  
**Model 8128.12**

	PU	Article	DG
	1	619 558	65



**Mains adapter**  
**230 V**  
- for HF radar flushing system  
**Model 8128.14**

	PU	Article	DG
	1	619 589	65



**Battery compartment**  
- for HF radar flushing system 9 V  
**Components**  
battery 9 V  
**Model 8128.15**

V [V]	PU	Article	DG
9	1	619 572	65

V = Voltage (V)



**Cartridge valve**  
- for series until 03/2011  
- plastic  
- electronic, flush actuation from front  
- fig. 2  
**Model 8128.41**

	PU	Article	DG
	1	423 667	65

URINAL FLUSHING SYSTEMS  
SIPHON SENSOR TECHNOLOGY, SERIES FROM 09/2009



**Urinal conversion kit**  
- for conversion of Viega radar electronics series from 2003–2007 to urinal siphon sensor technology  
- equipped with magnetic pin model 8350.25  
- plastic  
- touchless

**Components**  
control unit for siphon sensor technology, electronic cartridge valve, suction form piece incl. sensor, mains adapter, control – sensor connection cable, control – mains adapter connection cable, reed contact

**Technical data**  
power supply voltage 100–240 V AC/50–60 Hz  
**Model 8121.020**

	PU	Article	DG
	1	669 720	65



**Urinal control**  
- for siphon sensor technology  
- spare part for equipment set  
model 8560.33  
- plastic  
**Model 8121.21**

	PU	Article	DG
	1	655 846	65


**Cartridge valve**

- for siphon sensor technology
- brass
- electronic
- fig. 9

**Note**

Also suitable for equipment set Visign for Life 1 models 8128.2 and 8128.3 from series 04/2011 onwards.

**Model 8350.115**

	PU	Article	DG
	1	<b>633 325</b>	65


**Suction form piece**

- for urinal, flush volume 1–4 l, siphon sensor technology
- spare part for equipment set model 8560.33
- plastic

**Components**

horizontal drain, odour trap, lip seal, sensor  
quality controlled in accordance with DIN 19541

**Model 3233.4**

DN	PU	Article	DG
50	1	<b>654 269</b>	10


**Mains adapter**

- spare part for WC flush actuation model 8350.34

**Technical data**

power supply voltage 100–240 V AC/50–60 Hz

**Model 8350.11**

L	PU	Article	DG
1100	1	<b>633 322</b>	65


**Battery compartment**

- suitable for WC flush actuation model 8350.34
- plastic

**Components**

4 Mignon AA batteries

**Model 8350.13**

V [V]	PU	Article	DG
6	1	<b>633 318</b>	65

V = Voltage (V)


**Programming set**

- for modification of flush adjustments or activation of Viega Hygiene function
- equipped with magnetic pin model 8350.25
- suitable for WC flush actuation model 8350.34
- plastic

**Components**

mounting bracket

**Model 8350.26**

L	PU	Article	DG
500	1	<b>664 053</b>	65


**Sensor cable**

- copper

**Model 8121.22**

cl	PU	Article	DG
3000	1	<b>655 839</b>	65

cl = cable length



**Extension cable**

- for mains adapter and control or reed contact and control, drain/overflow with electrical drive
- suitable for Multiplex Trio F drain/overflow model 6148.1, mains adapter model 8350.12, 8580.32, accessory set model 8655.11

**Model 8352.690**

cl	PU	Article	DG
2000	1	<b>628 505</b>	65

cl = cable length



**Magnetic pin**

- plastic

**Model 8350.25**

	PU	Article	DG
	1	<b>663 841</b>	65

**URINAL INLET ACCESSORIES**



**Plug-in piece**

- for urinal connection from inlet side
- brass

**Model 8019.21**

L	R	PU	Article	DG
90	½	1	<b>308 551</b>	65



**Gasket**

- for urinal connection from inlet side
- rubber

**Model 8019.22**

	PU	Article	DG
	1	<b>308 568</b>	65



**Urinal inlet fitting**

- for removed installed valve unit (> 2m) on urinals with inlet from behind, G½x45, urinal connection from inlet side
- brass

**Components**

backflow preventer, plastic connector Ø 32–38 mm

**Model 8128.47**

	PU	Article	DG
	1	<b>463 007</b>	65

**WC INLET ACCESSORIES**



**Flushing throttle**

- for reducing the flushing flow, concealed cistern 2C, concealed cistern 2H, concealed cistern Standard 2S, construction height 1130 mm
- plastic

**Components**

flushing throttle

**Model 8310.93**

	PU	Article	DG
	1	<b>758 851</b>	65



**Flushing pipe elbow**

- for concealed cistern 2H, concealed cistern Standard 2S
- plastic

**Components**

ventilator connection

**Model 8310.26**

L	PU	Article	DG
285	1	<b>610 883</b>	65


**Flushing pipe elbow**

- plastic

**Components**

ventilator connection

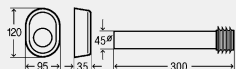
**Model 8310.78**

L	PU	Article	DG
285	1	<b>476 663</b>	65


**Flushing pipe set**

- for connection between concealed flushing elbow and floor-standing WC

- plastic

**Model 8310.79**


L	Ø	PU	Article	DG
300	45	1	<b>495 169</b>	66


**Flushing pipe**

- plastic

- without: flushing pipe connector

**Model 3817.5**

d	L	PU	Article	DG
45	400	1	<b>312 664</b>	71

## ACCESSORIES

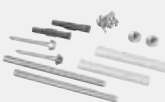

**WC sound insulation panel**

- for reduction of sound transmission to neighbouring wall

- plastic

**Model 8310.51**

Version	PU	Article	DG
white alpine	1	<b>575 168</b>	65


**Fixing set**

- for WC

- steel

**Components**

threaded rod M12x160 mm,

threaded nuts M12, collar screws

with dowels, drilling screw

**Model 8310.66**

PU	Article	DG
1	<b>633 264</b>	65


**Prevista Dry Fixing set**

- for single mounting on solid wall

- suitable for Prevista Dry

washbasin element model 8539

- zinc die-cast

- depth-adjustable 75–200 mm,

fixing possibilities for cladding,

long holes

**Model 8173**

QS	PU	Article	DG
2	1	<b>460 440</b>	65

QS = Quantity per set

## FILLING VALVE SETS FOR CONCEALED/WALL-MOUNTED FLUSH CISTERNS



### Filling valve set

- for wall-mounted cisterns of different manufacturers
- plastic

### Components

filling valve, connection accessories

**Model 8310.76**

	PU	Article	DG
	1	<b>759 261</b>	65

## INDIVIDUALLY HEIGHT-ADJUSTABLE WC ELEMENTS



### Gas pressure spring

- for ceramic up to 28 kg
- steel
- hydraulic release

**Model 8174.1**

L	PU	Article	DG
380	1	<b>713 669</b>	65



### Push button

- chrome-plated brass
- hydraulic release

### Components

rosette

**Model 8064.10**

	PU	Article	DG
	1	<b>736 941</b>	65



### Push button

- only in combination with cover plate model 8356.8
- chrome-plated brass
- hydraulic release

### Components

rosette

**Model 8356.9**

	PU	Article	DG
	1	<b>736 934</b>	65

## INDIVIDUALLY HEIGHT-ADJUSTABLE WASHBASIN ELEMENTS



### Cover plate

- glass

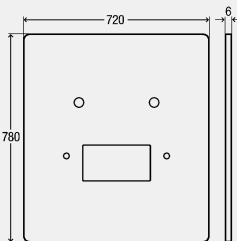
### Components

push button with rosette for individual height adjustment of the WB ceramic, 2 straight double screw fittings with compression fittings for copper pipe d10, 2 chrome-plated connection pipes d10, chrome-plated brass waste elbow 300 mm, chrome-plated plastic cover plate for concealed connection box

**Model 8064.22**

L	B	s	Version	PU	Article	DG
780	720	6	clear/light grey glass	1	<b>736 910</b>	65

B = width



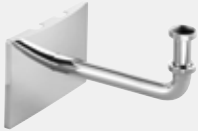



**Gas pressure spring**

- for individually height-adjustable washbasin element
- steel
- hydraulic release

**Model 8172.1**

	PU	Article	DG
	1	<b>736 927</b>	65

**CONCEALED CONNECTION BOX**

**Cover plate**
**for concealed connection box**

- suitable for cover plate model 8064.22, concealed connection box model 8314, Prevista Dry washbasin element model 8535.32, 8535.33
- chrome-plated plastic

**Components**

chrome-plated plastic cover plate for concealed connection box, 2 straight double screw fittings with compression fittings for copper pipe d10, 2 chrome-plated connection pipes d10, chrome-plated brass waste elbow 300 mm, chrome-plated brass adjusting pipe

**Model 8314.5**

L	B	Version	PU	Article	DG
170	264	chrome-plated	1	<b>734 848</b>	65

B = width

## DRAINAGE ACCESSORIES BRANCHES, CONNECTION ELBOWS

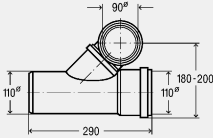


- Branch**
- for WC line mounting
  - plastic
  - height-reduced

**Components**

WC connection elbow (rotatable) with groove for fixing the WC pre-wall clip, gaskets

**Model 8092**



DN1	DN2	DN3	PU	Article	DG
100	90	100	1	<b>284 497</b>	75



- Branch**
- for WC line mounting, WB line mounting
  - plastic
  - height-reduced

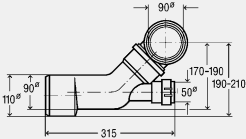
**Components**

WC connection elbow with groove for fixing in WC pre-wall clip, gaskets

**Note**

The waste elbow in the branch is rotatable by 180°.

**Model 8093**



DN1	DN2	DN3	PU	Article	DG
100	90	50	1	<b>284 503</b>	75



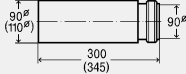
**Connection piece**

- for horizontal connection of WC element, welding with PE pipe, insertion in wastewater pipe
- plastic

**Components**

WC connection pipe with groove for fixing in WC pre-wall clip, gasket

**Model 8091**



DN1	DN2	L	PU	Article	DG
90	90	300	1	<b>684 150</b>	75
90	100	345	1	<b>293 987</b>	75



**Waste elbow 90°**

- PE
- flexible, DN90, depth-adjustable

**Components**

eccentric adapter DN90/100 made of PE, groove for fixing in the WC pre-wall clip, gasket

**Model 8095**

L	PU	Article	DG
380-460	1	<b>713 744</b>	65
460-630	1	<b>713 737</b>	65


**Waste elbow 90°**

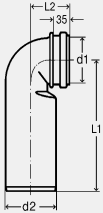
- for WC, welding with PE pipe, insertion in wastewater pipe
- PE

**Components**

groove for fixing in the WC pre-wall clip, gasket

**Model 3816**

d1	d2	L1	L2	DN	PU	Article	DG
90	90	235	75	90	1	<b>326 609</b>	71
90	110	210	85	90	1	<b>296 032</b>	71
110	110	300	85	100	10	<b>107 048</b>	71


**Waste elbow 90°**

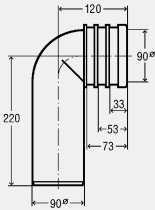
- PP
- depth-adjustable

**Components**

groove for fixing in the WC pre-wall clip, gasket

**Model 3816.1**

DN	PU	Article	DG
90	1	<b>440 244</b>	71


**Waste elbow 90°**

- PP

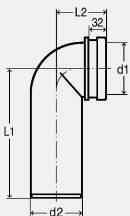
**Components**

groove for fixing in the WC pre-wall clip, gasket

**Model 3816.3**

d1	d2	L1	L2	PU	Article	DG
90	90	210	85	1	<b>683 726*</b>	71

\* = Discontinued, limited availability





**Connection elbow 90°**

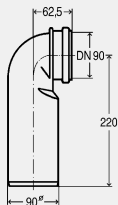
- for welding with PE pipe, insertion in wastewater pipe  
- PE

**Components**

groove for fixing in the WC pre-wall clip, gasket

**Model 3816.8**

DN	PU	Article	DG
90	1	<b>662 738</b>	65



**Reducer**

- for waste elbow DN90  
- PP

**Components**

gasket

**Model 3816.2**

DN1	DN2	PU	Article	DG
90	100	1	<b>440 459</b>	71

**DRAINAGE ACCESSORIES  
CONNECTION SETS**



**Connection set**

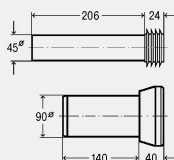
- plastic

**Components**

flushing pipe with flushing pipe connector 45x230 mm, WC connection socket with lip seal, mounting set (covering accessories white)

**Model 8010.27**

DN	PU	Article	DG
90	1	<b>308 414</b>	75



**Connection set**

- plastic

**Components**

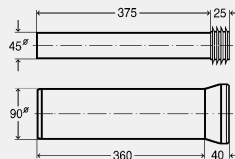
flushing pipe with flushing pipe connector 45x400 mm, WC connection pipe with lip seal, mounting set (covering accessories white)

**Note**

Flushing pipe without flushing pipe connector: spare parts/drainage accessories (model 3817.5) product group.

**Model 3817.819**

DN	L	PU	Article	DG
90	400	1	<b>654 474</b>	71




**Connection set**

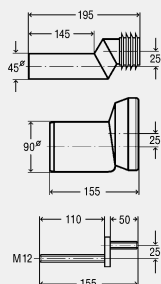
- for height adjustment up to 25 mm
- plastic

**Components**

flushing pipe with flushing pipe connector, WC connection socket with lip seal, threaded rod

**Note**

Without warranty; can lead to reduced, non-standard flush and drainage capacity!

**Model 8094**


DN	PU	Article	DG
90	1	<b>344 382</b>	75


**Gasket**

- for WC flushing pipe connector

**Model 3817.62**

internal-Ø	Ø	H	PU	Article	DG
43	58	25	1	<b>682 941</b>	71

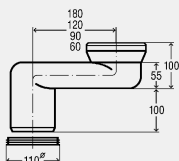
**DRAINAGE ACCESSORIES**  
**OFFSET ELBOWS**

**Offset elbow 90°**

- for pipe offset within the floor construction, all wastewater pipe materials
- not suitable for WC ceramic 4.5 l
- PP

**Components**

lip seal, profile seal



Model	DN	offset	PU	Article	DG
<b>8090</b>	100	180	1	<b>294 885</b>	75
<b>8090.1</b>	100	120	1	<b>340 780</b>	75
<b>8090.2</b>	100	90	1	<b>484 354</b>	75
<b>8090.3</b>	100	60	1	<b>484 361</b>	75

**DRAINAGE ACCESSORIES**  
**WASTE ELBOWS**

**Waste elbow 90°**

- for installation of a WB module or Viega Eco Plus WB element with steel stud frame depth 75 mm
- PP
- depth-reduced

**Components**

groove for fixing in the WB pre-wall clip

**Model 8113.21**

DN	PU	Article	DG
40/50	1	<b>331 160*</b>	75

\* = Discontinued, limited availability



**Waste elbow 90°**

- for fixing with fitting holder or Viega Mono surface-mounted fitting pre-wall block
- plastic

**Components**

mounting bracket, WB pre-wall clip, rubber nipple DN40/30, plug

**Model 2125.9**

DN	PU	Article	DG
40/50	1	<b>329 730</b>	78